

**Instruction Manual
For
Battery Pack Installation**

**Xtreme Performance Rack/Tower
Series
(XPRT)**

Safety Warning and Caution!

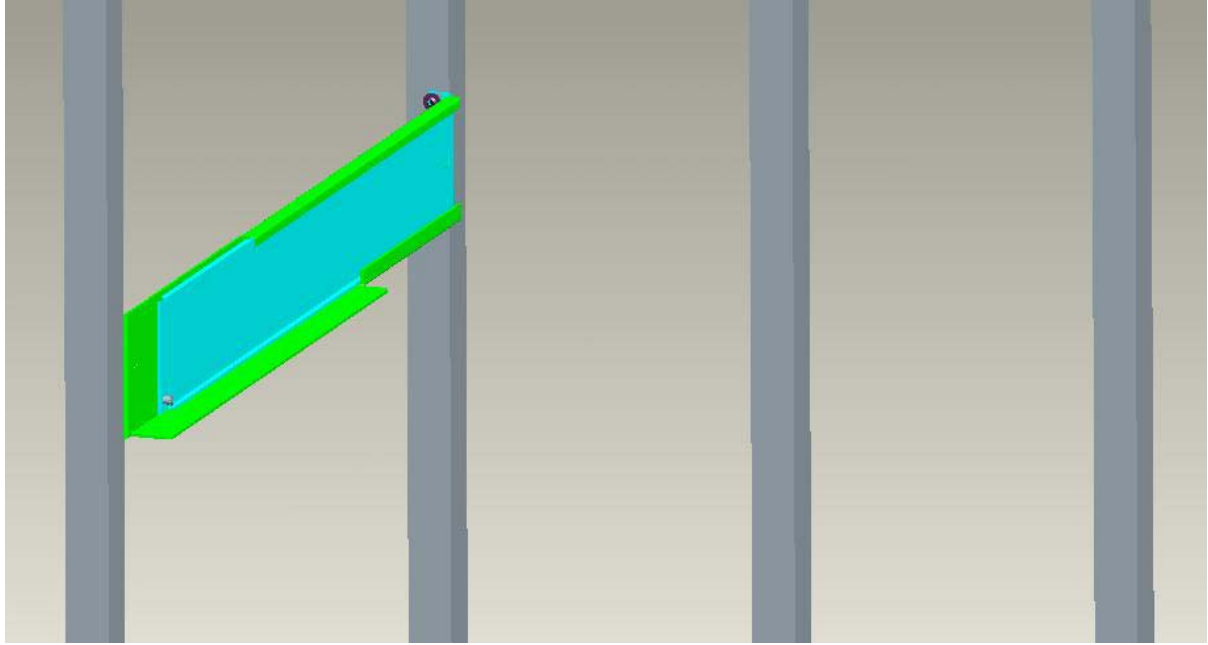
1. Risk of Electric Shock, This Battery Pack contains batteries inside, Energized parts and Hazardous electrolyte are harmful to personnel. Hazardous voltage may exist between battery terminals and ground. Test before touching.
2. This Battery Pack is designed for installation in a controlled environment. To reduce the risk of fire, replace only with the same type and rating of fuse or circuit breaker.
3. **Warning, Battery Pack is very heavy. Please be very careful when handling and installing the Battery pack. Do not install the battery pack by the two front mounting ears only. The adjustable rack rails(Model #: XPRT-RR1) illustrated in this manual are required for installtion**
4. Do not dispose of batteries in a fire. The battery may explode.
5. There is No user serviceable parts inside the enclosure. Do not open or mutilate the batteries, released electrolyte is harmful to the skin and eyes. It may be toxic. Servicing of batteries should be performed or supervised by personnel with knowledge of batteries and the required precautions.
6. A battery can present a risk of electric shock and high short circuit current. The following precaution should be observed when working with batteries:
 - Remove watches, rings or other metal objects.
 - Use tools with insulated handles.
 - Wear rubber gloves and boots.
 - Do not lay tools or metal parts on top of batteries.
 - Disconnect charging source prior to connecting or disconnecting battery terminals.

Specifications for Battery Pack

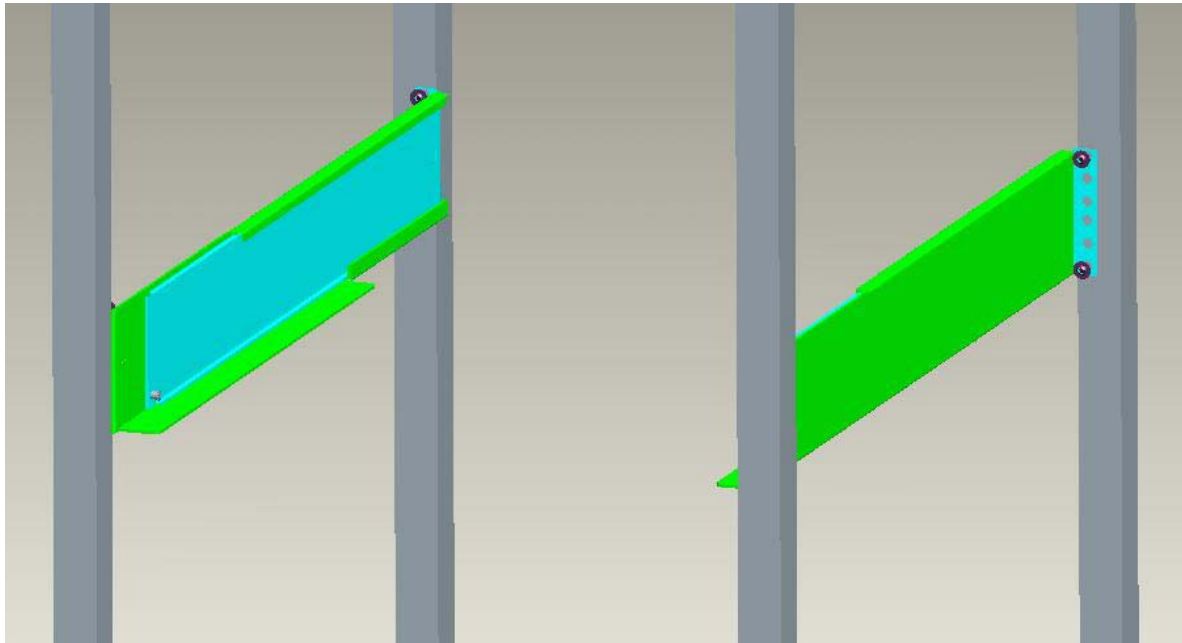
Model	XPRT-BP1	XPRT-BP2	XPRT-BP3
Battery type	Lead-acid 7 Ah /12 V	Lead-acid 7 Ah /12 V	Lead-acid 7 Ah /12 V
Number of batteries	6	12	12
DC Bus Voltage	36Vdc	36Vdc	72Vdc
Dimensions W x D x H mm	428 x 425 x 84	428 x 610 x 84	428 x 610 x 84
Weight (Kg / lbs)	22 / 49	44 / 96	44 / 96

Battery Pack Installation Instructions

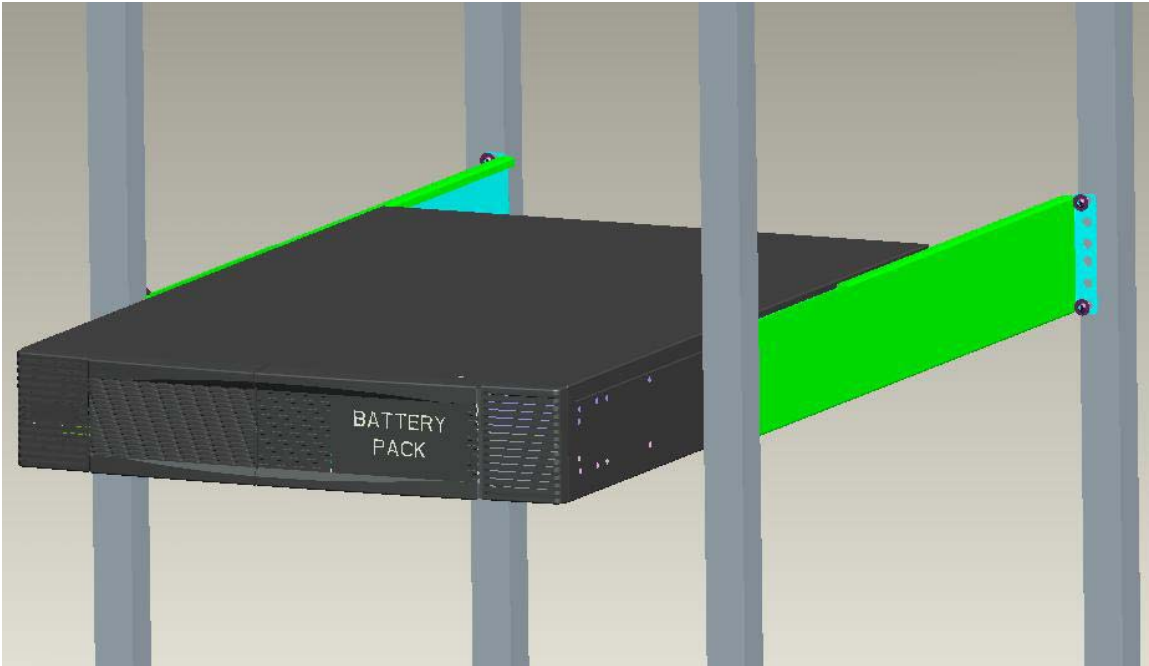
1. Installing the left Slide Rail on to the Post of Rack.



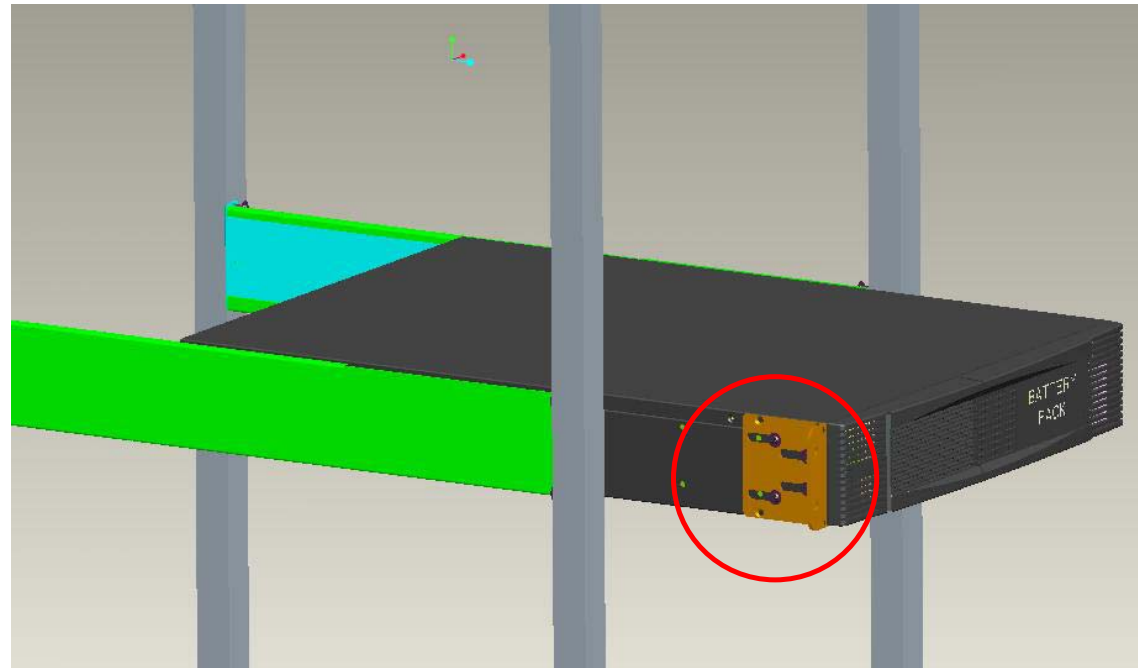
2. Installing the right Slide Rail on to the Post of Rack.



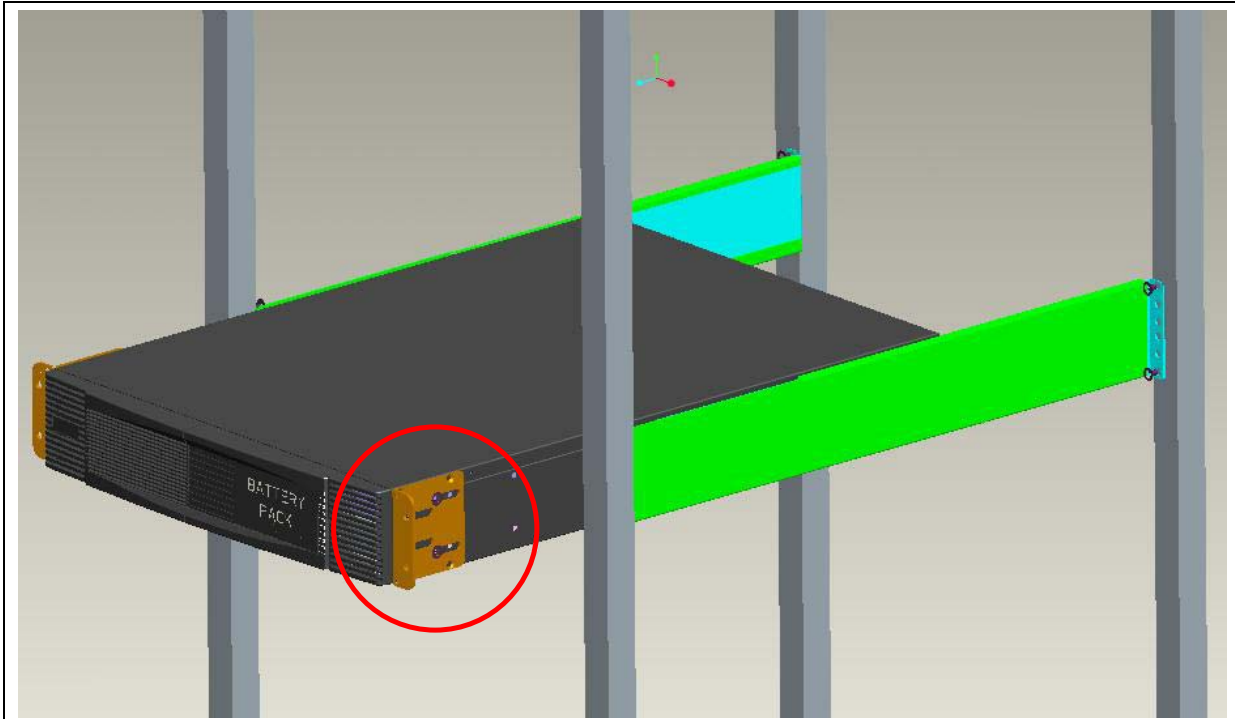
3. Placing the Battery Pack on to the Slide Rails.



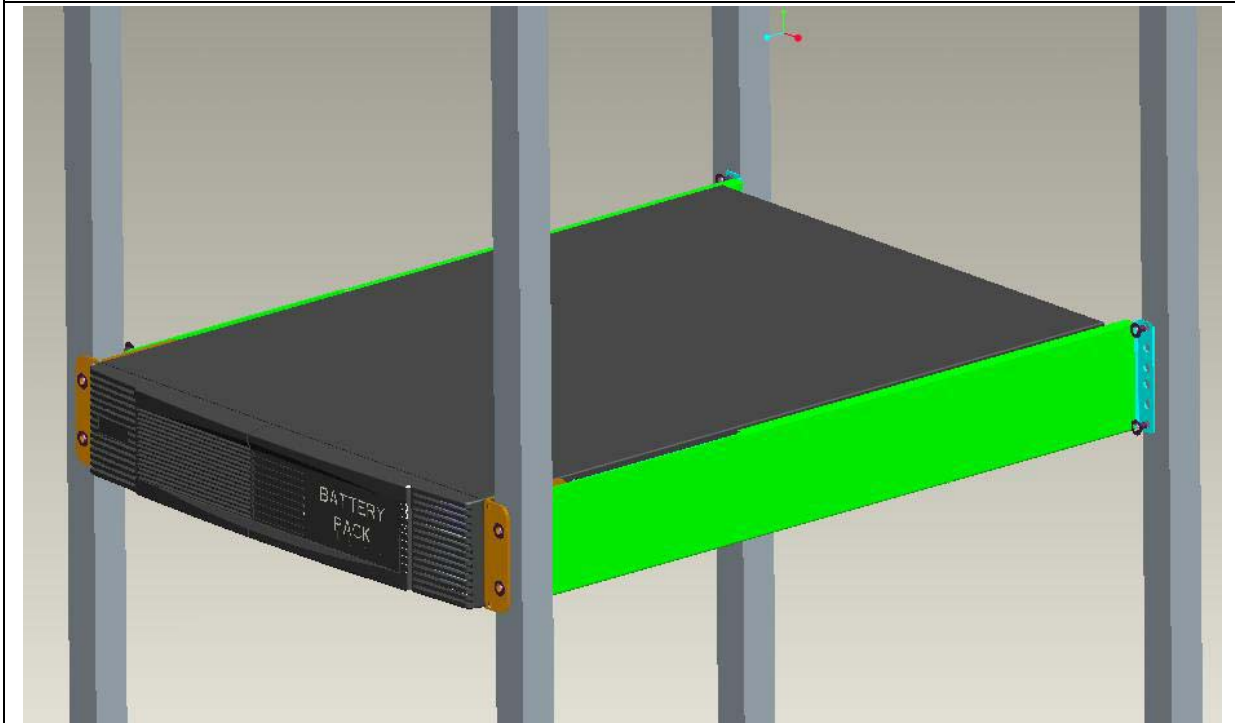
4. Fastening the left Bracket.



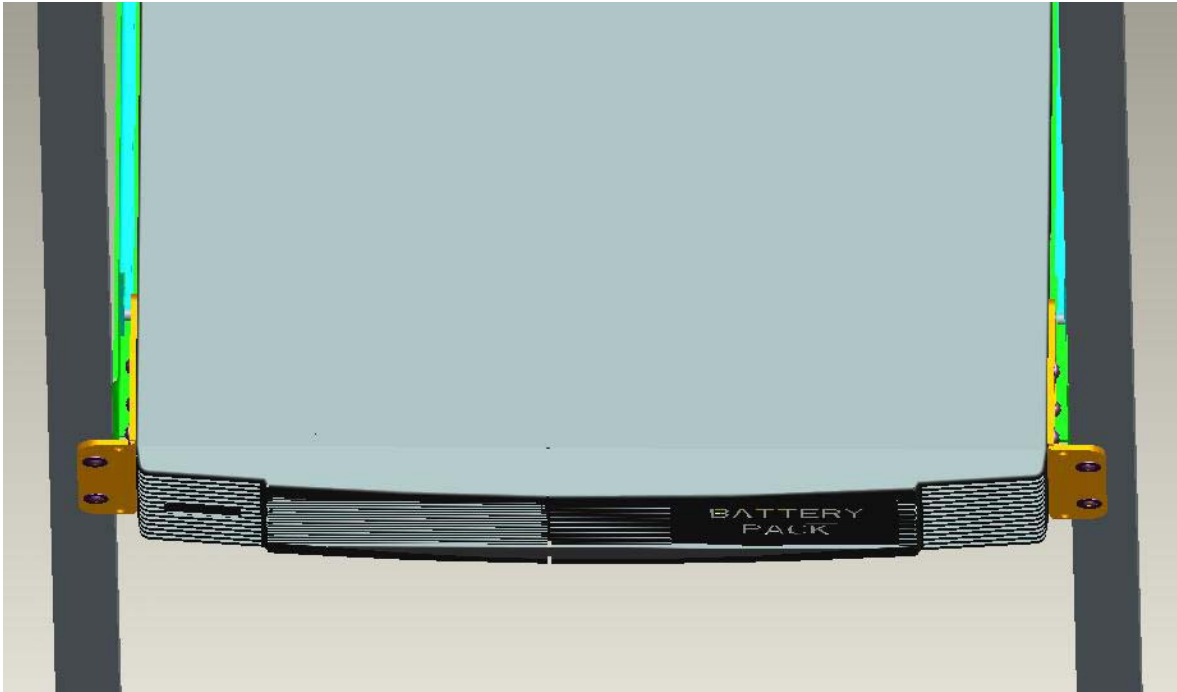
5. Fastening the right Bracket.



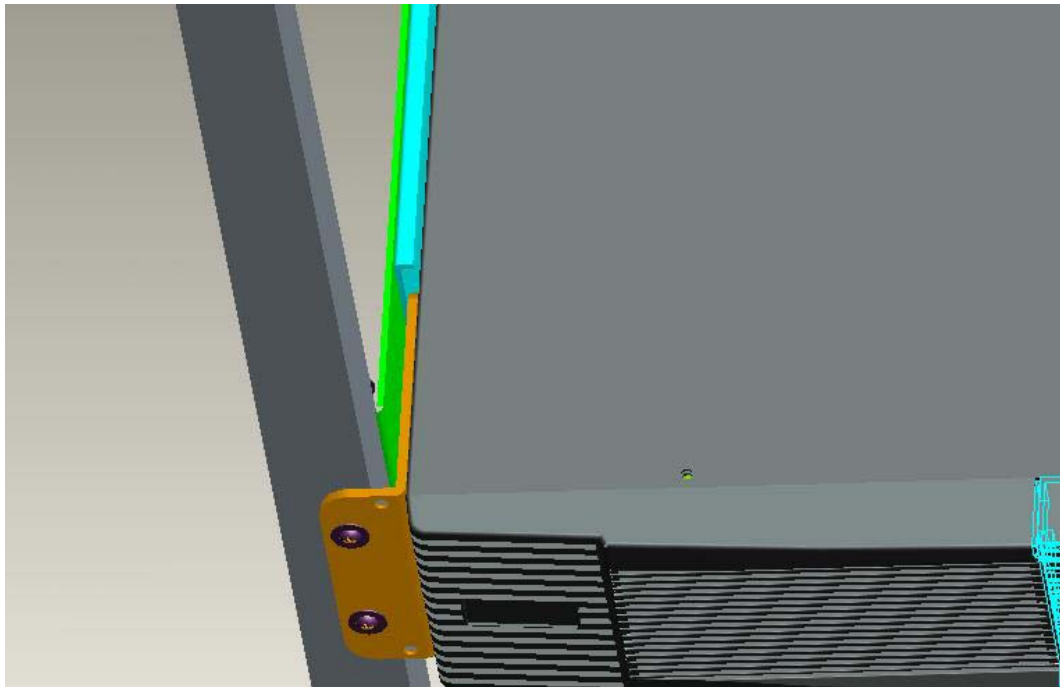
6. Slide the Battery Pack into position and using the screws to fasten the Brackets to the Front Posts of The Rack.



7. Top View of the installed Battery Pack on the Rack.



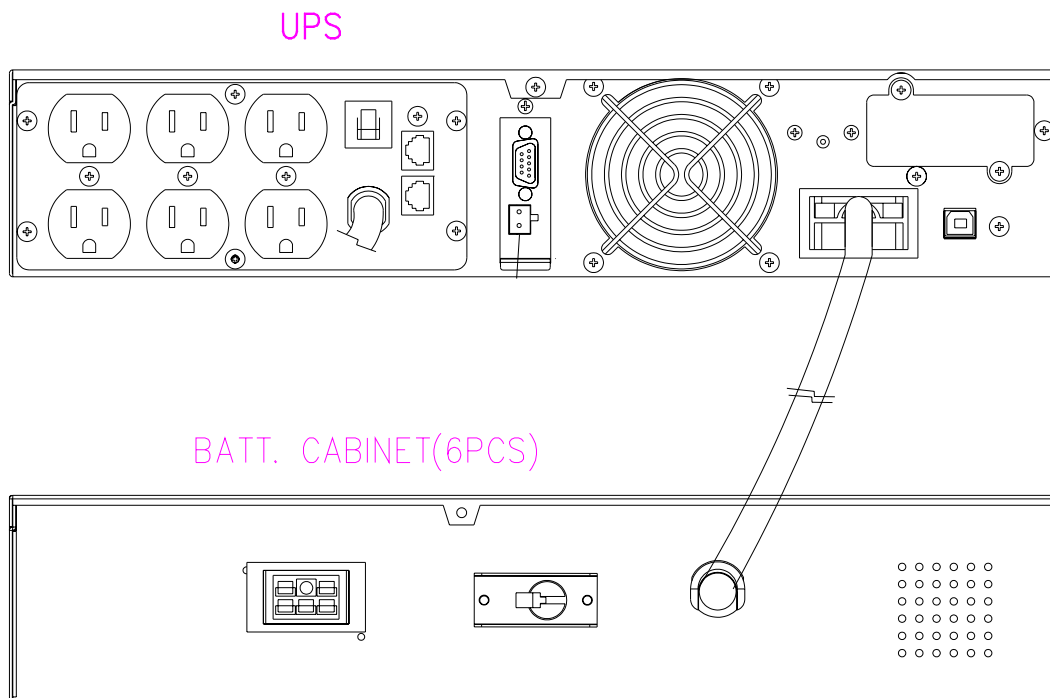
8. The Close-up View of the Bracket on the Rack Post.



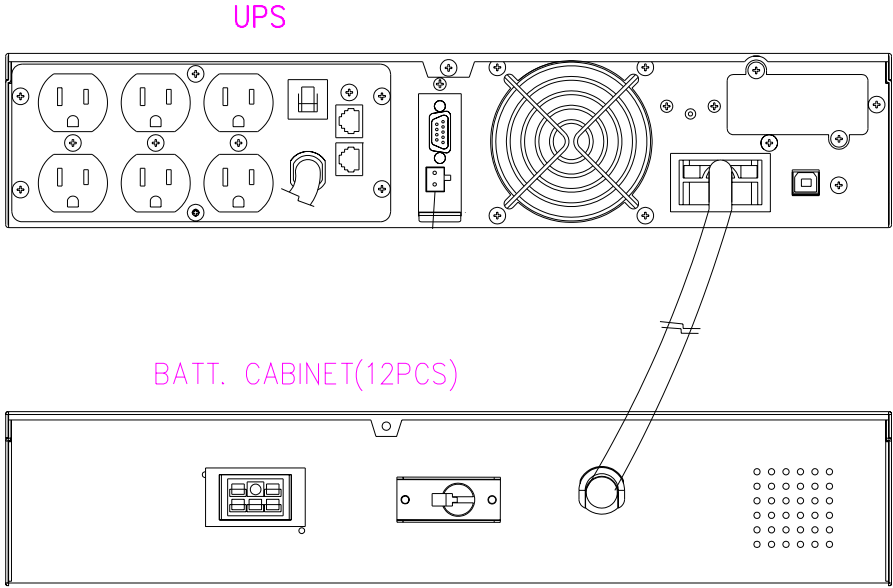
Instructions for Connecting the Battery Pack(s)

- First disconnect the UPS from mains and loads before attempting an External Battery Cabinet installation. Both Battery circuit breakers (located in the back) must be "OFF".
- Remove the Steel Cover that over the Battery Connectors on Rear Panel of External Battery Pack, and on Rear Panel of UPS.
- Use the battery cable provided with the External Battery Cabinet to connect the External Battery Pack to the UPS Unit.
- If More than one Battery Pack are to be connected, then Connect the second Battery Pack to the first one with the Battery Cable provided with the second Battery Pack.
- Please check and set UPS parameters to match the Battery Pack quantity installed when using external Battery Packs.

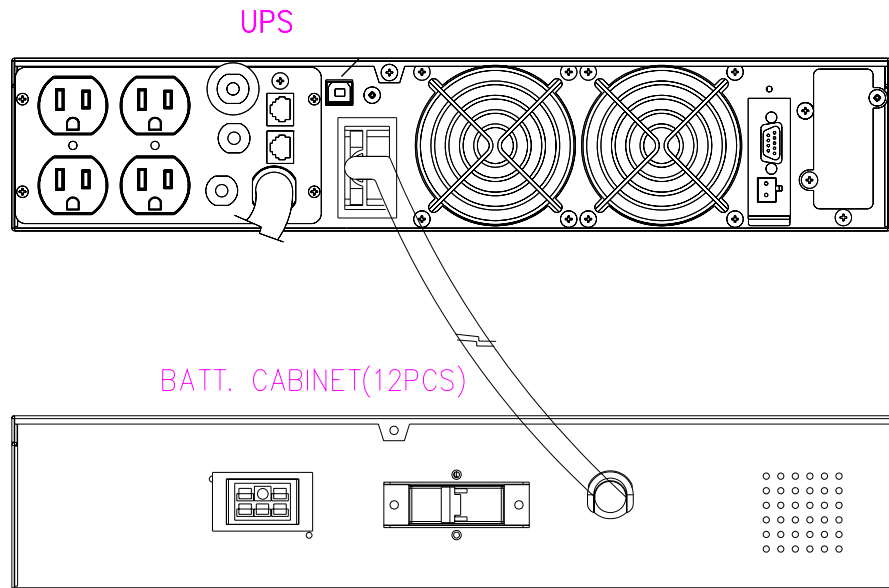
Rear Panel View of 700VA ~ 1500VA UPS and EBP (6 pcs Batteries):



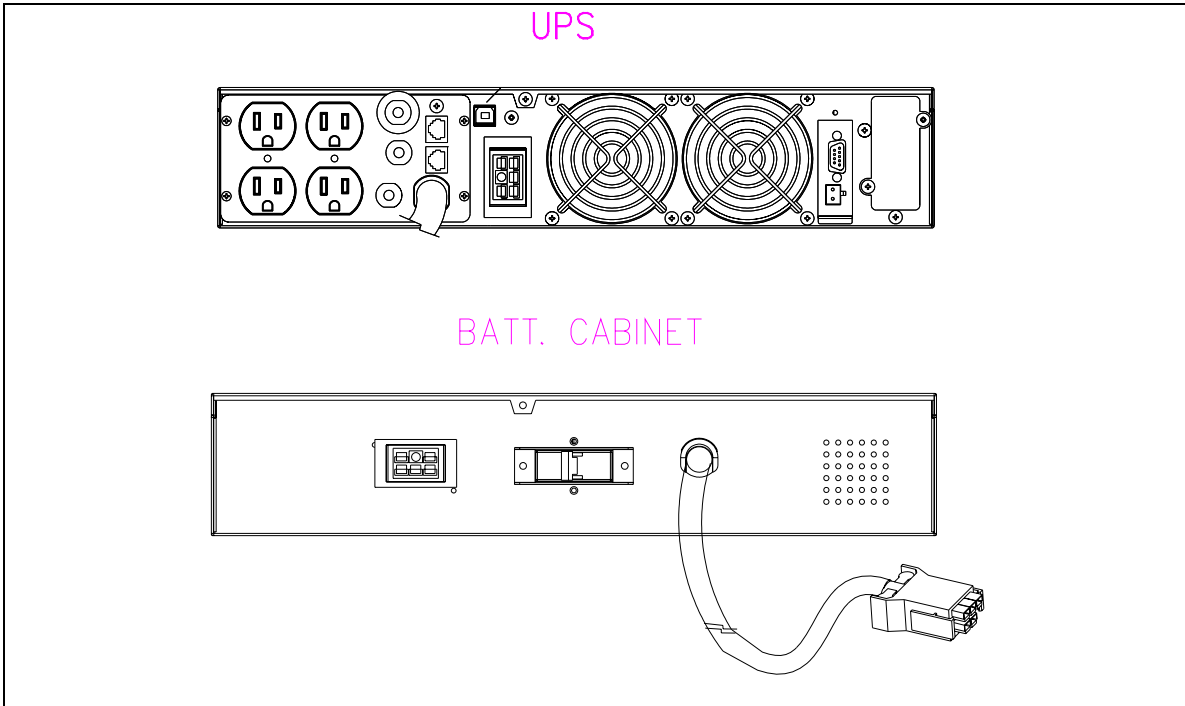
Rear Panel View of 700VA ~ 1500VA UPS and EBP (12 pcs Batteries):



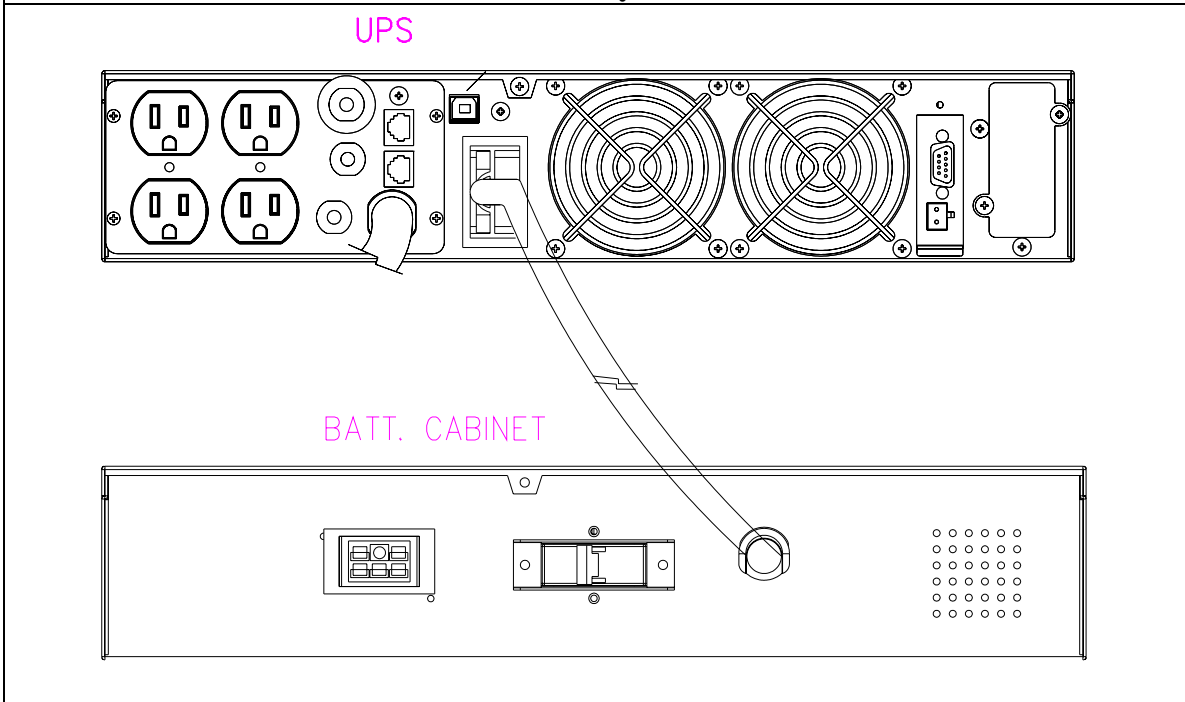
Rear Panel View of 2000VA ~ 3000 VA UPS & EBP (12 pcs Batteries):



- 1. Make sure the Breaker on Battery Pack is in “OFF” Position.**



10. **Connect the Electrical Connections between UPS and Battery Pack.**
The EBP Connector is keyed so as to insure correct Polarity.
11. **Then, Turn the Breaker on Battery Pack to “On” Position.**



Obtaining Service/Warranty

If the UPS requires Service:

1. Use the **TROUBLESHOOTING** section to eliminate obvious causes.
2. Verify there are no circuit breakers tripped. A tripped circuit breaker is the most common problem.
3. Call your dealer for assistance. If you cannot reach your dealer, or if they cannot resolve the problem call or fax Xtreme Power Technical Support at the following numbers at **800.582.4524**. Please have the following information available BEFORE calling the Technical Support Department:
 - A. Your name and address.
 - B. Where and when the unit was purchased.
 - C. All of the model information about your UPS.
 - D. Any information on the failure.
 - E. A description of the protected equipment, including model numbers if possible.
 - F. A technician will ask you for the above information and, if possible, help solve your problem over the phone. In the event that the unit requires factory service, the technician will issue you a Return Material Authorization Number (RMA #).
 - G. If the UPS is under warranty, the repairs will be done at no charge. If not, there will be a charge for repair.
4. Pack the UPS in its original packaging. If the original packaging is no longer available, ask the Technical Support Technician about obtaining a new set. It is important to pack the UPS properly in order to avoid damage in transit. Xtreme Power approved packaging must be used.
 - A. Include a letter with your name, address, daytime phone number, RMA number, a copy of your original sales receipt, and a brief description of the problem.
5. Mark the RMA # on the outside of all packages. The factory cannot accept any package without the RMA # marked on the outside.
6. Return the UPS by insured, prepaid carrier to: Call **Xtreme Power** for address

Limited Three Year Warranty

XPRT Series UPS products are warranted free from defects in material and workmanship for **three** years from date of purchase. This warranty is limited to repairing or replacing, at Xtreme Power's sole option, any defective component, circuit board or module contained within the product, only when it is returned with an Xtreme Power Return Material Authorization (RMA) number to Xtreme Power. Xtreme Power may, at its sole discretion, offer field repairs with warranty coverage limited to parts and labor only.

Batteries

Batteries, included in this product are warranted for **two years**. Batteries are deemed defective by Xtreme Power's sole discretion

Limitations of Warranty

This limited warranty does not cover any losses or damage resulting from shipment to or from the customer, or from improper installation, inappropriate environment, abuse, modifications, adjustments, or unauthorized repair.

Exclusive Remedies

Except as set forth herein and except as to title, there are no warranties, express or implied, or any affirmations of fact or promises by Xtreme Power for the products, their merchantability, or fitness for any particular purpose. In no event shall Xtreme Power be liable for lost profits, goodwill, or any other special or consequential damages. Any changes to this must be approved by an Xtreme Power corporate officer.

Life Support Disclaimer

Xtreme Power power protection products are not designed, intended or authorized for use in systems intended to support or sustain life, or for any other application in which the failure of the Xtreme Power product could create a situation where personal injury or death may occur. Under no circumstances should the Buyer purchase or use Xtreme Power products for any such unintended or unauthorized application, if the Buyer does not comply with this, the Buyer shall indemnify and hold Xtreme Power and its officers, employees, affiliates, resellers, partners and distributors harmless against all claims, costs, damages and expenses, and reasonable attorney fees arising out of, directly or indirectly, any claim or personal injury or death associated with such unintended or unauthorized use, even if such claim alleges that Xtreme Power was negligent regarding the design or manufacture of the product.

Logistics and Shipping

Unless otherwise stated, the warranty period begins on the date the Xtreme Power product is shipped to the customer when shipped from an Xtreme Power owned facility. In cases in which products are purchased through and shipped from a Distributor or a Reseller, the warranty period begins 60 days from the date of shipment from Xtreme Power. If a Xtreme Power product is found to be defective, Xtreme Power will, at its sole discretion either ship the customer a new replacement product or repair the returned product. The customer must return the defective unit to Xtreme Power within 30 days of issuance of the RMA or will be charged full price for the replacement unit.