

2Post Conversion Brackets

Installation Instructions

KitP/N: 2POST-2UKIT,
2POST-3UKIT, 2POST-4UKIT,
2POST-5UKIT, 2POST-7UKIT

Kit Contents

Four (4) Conversion Brackets

Bracket to Rack Hardware Kit

(16) 12-24 Slotted Hex Bolts

Equipment Install Hardware Kit

(10) M6x0.1mm Pan Head Screws

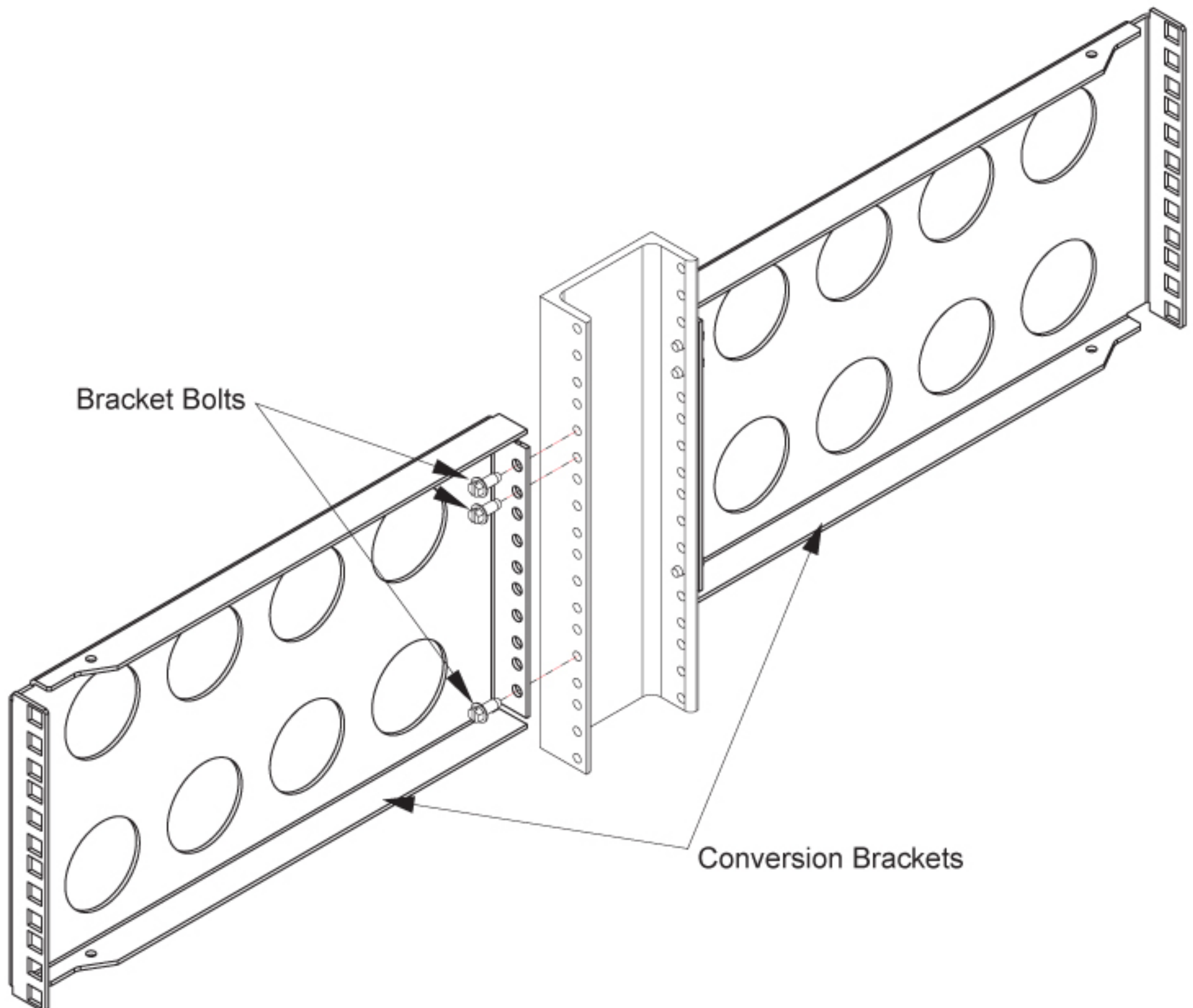
(12) M6x0.1mm Cage Nut

Installation Instructions

Step 1. Attach Brackets: Determine the location of the equipment in the rack. Screw the (4) brackets to the rack using 12-24 Slotted Hex Bolts. The four brackets are identical. Ensure the bolts attach the bracket tightly to the rack.

A 4U installation is shown below. The number of bolts required varies based on the bracket height.

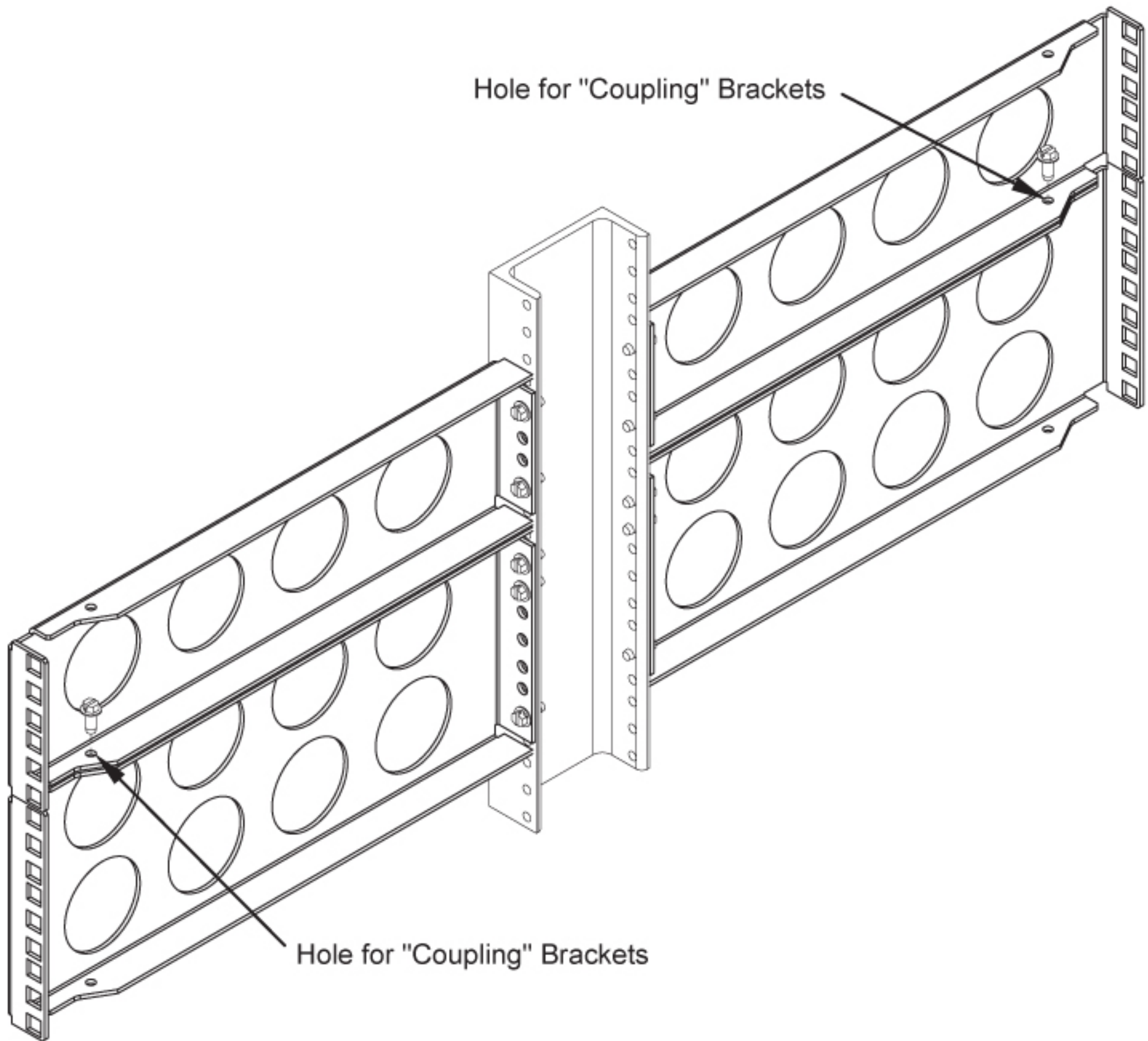
2U Brackets	1 Bolt in Top Hole,	1 Bolt in Bottom Hole
3U Brackets	2 Bolts in Top Holes,	1 Bolt in Bottom Hole
4U Brackets	2 Bolts in Top Holes,	1 Bolt in Bottom Hole
5U Brackets	3 Bolts in Top Holes,	1 Bolt in Bottom Hole
7U Brackets	3 Bolts in Top Holes,	1 Bolt in Bottom Hole



Installation Instructions – Rack Front

If there are multiple servers stacked vertically, follow step 2 below.

Step 2. Bracket Coupling: Install 12-24 Slotted Hex Bolts at the locations shown below to “Couple” the brackets. Bolts may be installed from the top or bottom. Repeat for each nearby bracket.



Step 3. Equipment Installation: This 2Post Conversion kit creates a standard depth 4 Post rack. Equipment designed for square holes will typically install without issues. Use the provided Cage Nuts and screws when threaded holes are required.

For equipment compatibility information, refer to the following sites:

www.RackSolutions.com

(Dell equipment)

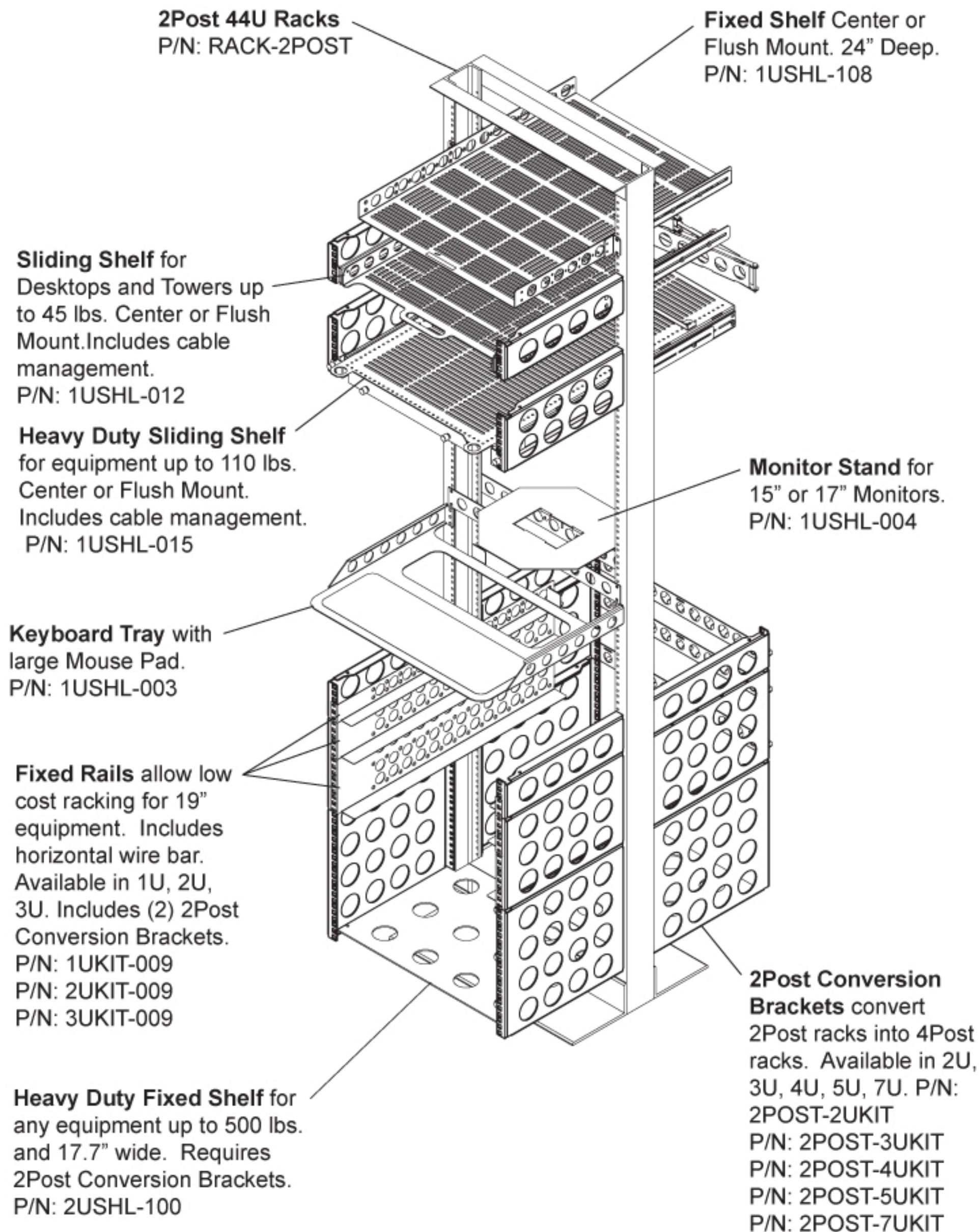
www.RackSolutions.com/hp

(HP-Compaq equipment)

www.RackSolutions.com/ibm

(IBM equipment)

2Post Rack Accessories



Warranty Statement

Rackmount Solutions warrants our products against defects in material and workmanship for a period of one (1) year from the date of purchase. Rackmount Solutions liability shall be limited to repairing or replacing, at our option, any defective product.