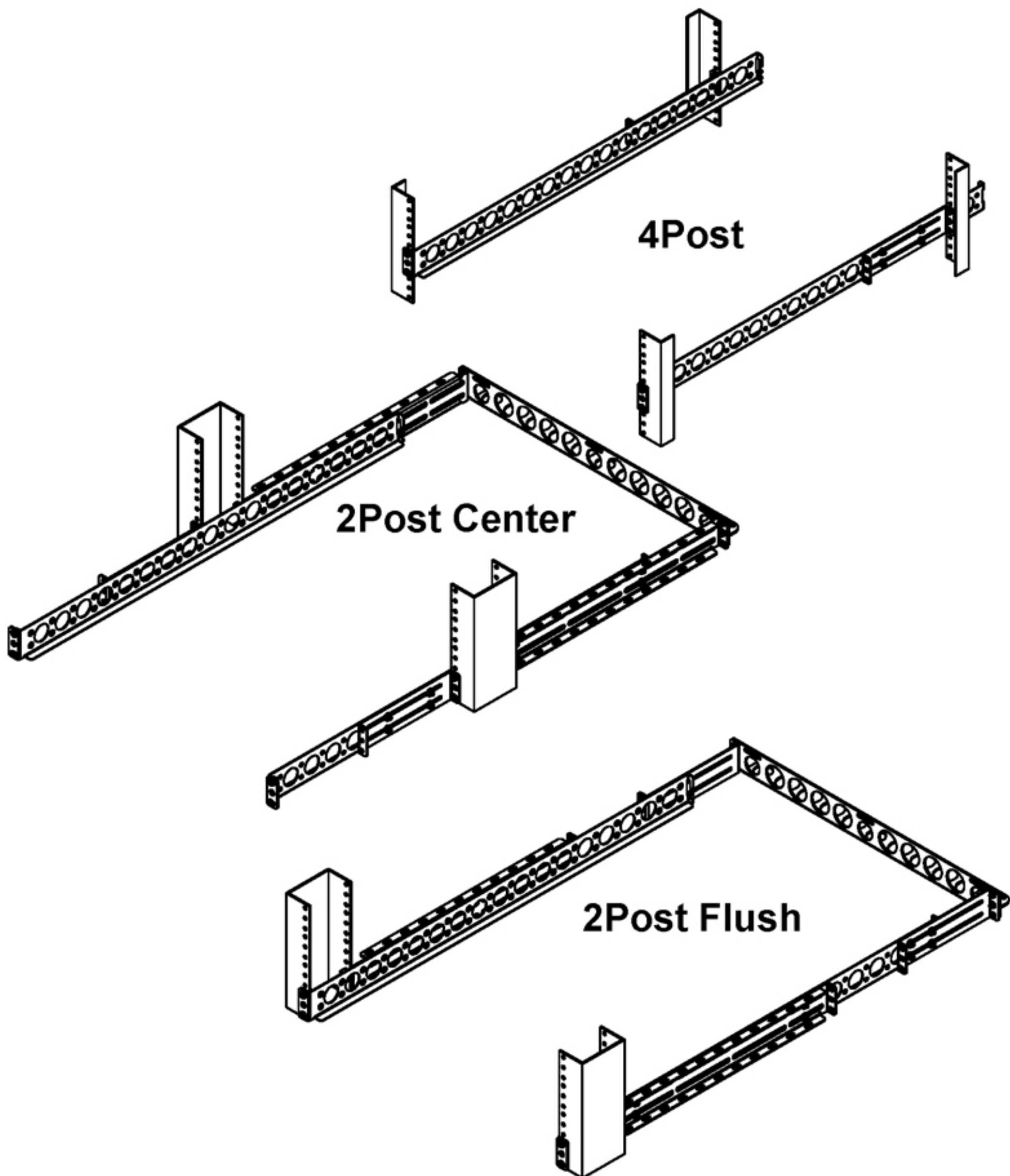


# 4Post and 2Post Rails for HP Servers



Installation Instructions  
Kit P/N: BRK-HP-FIXED

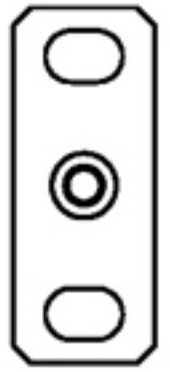
# Kit Contents

## Rack Hardware

- (8) M6 x 13mm Pan Head Screws
- (8) 10-32 x .500 Pan Head Screws
- (8) 12-24 x .500 Pan Head Screws

## Assembly Hardware

- (16) 8-32 Keps Nuts
- (16) 8-32 x .375 Flat Head Screws
- (8) 1/4-20 x .500 Pan Head Screws
- (8) 1/4-20 Keps Nuts
- (4) 8-32 x .375 Truss Head Screws

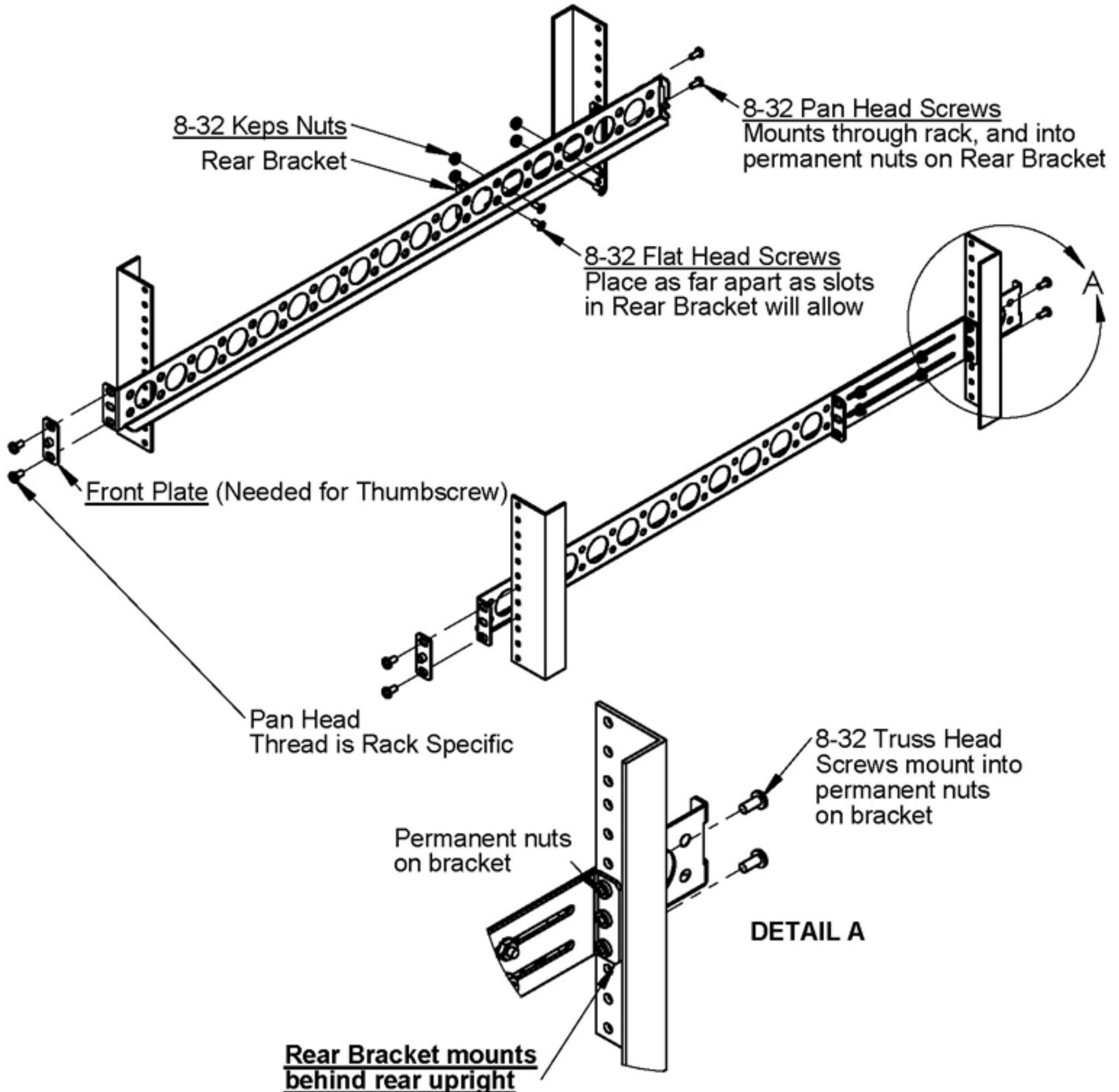


Front Plate

# Installation Instructions

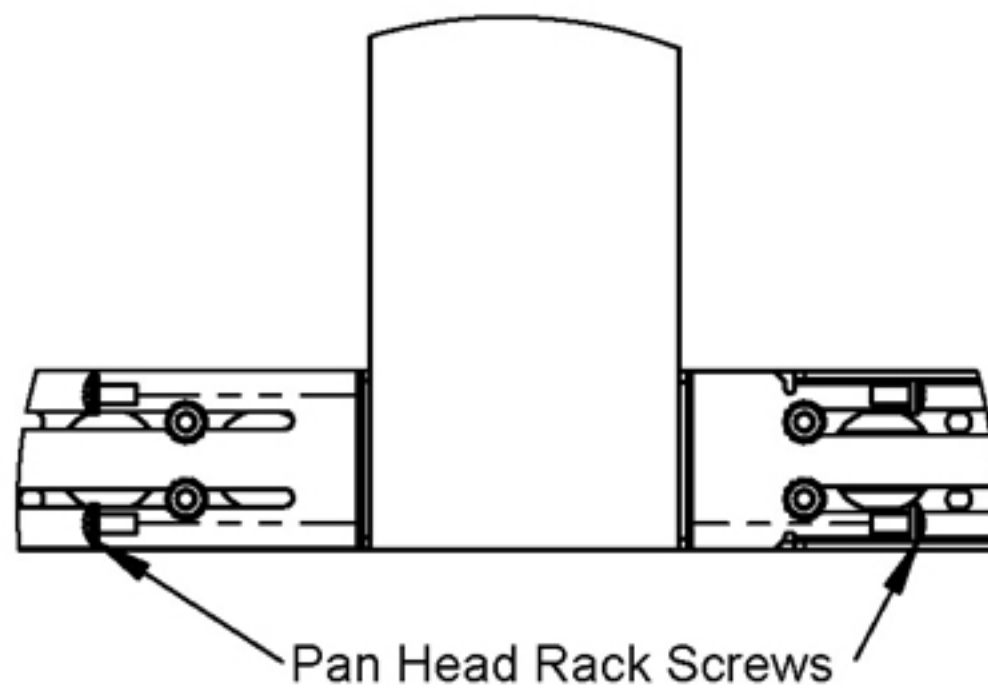
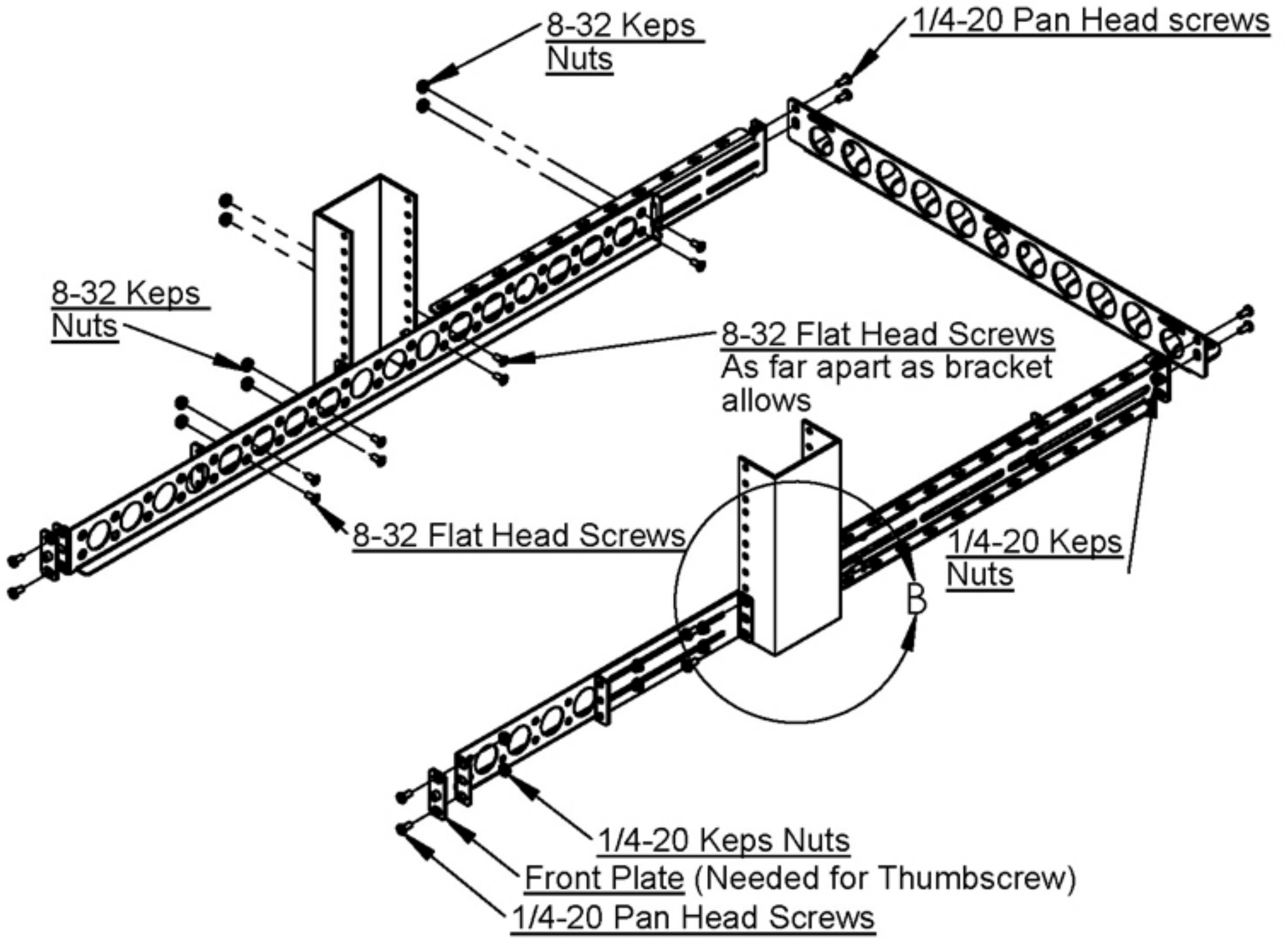
**4Post Mounting:** Determine what type of thread is used in your rack, and use the provided screws, wherever the instructions call out a Rack Specific Screw

Only one side is illustrated for clarity the other side is identical



# Installation Instructions

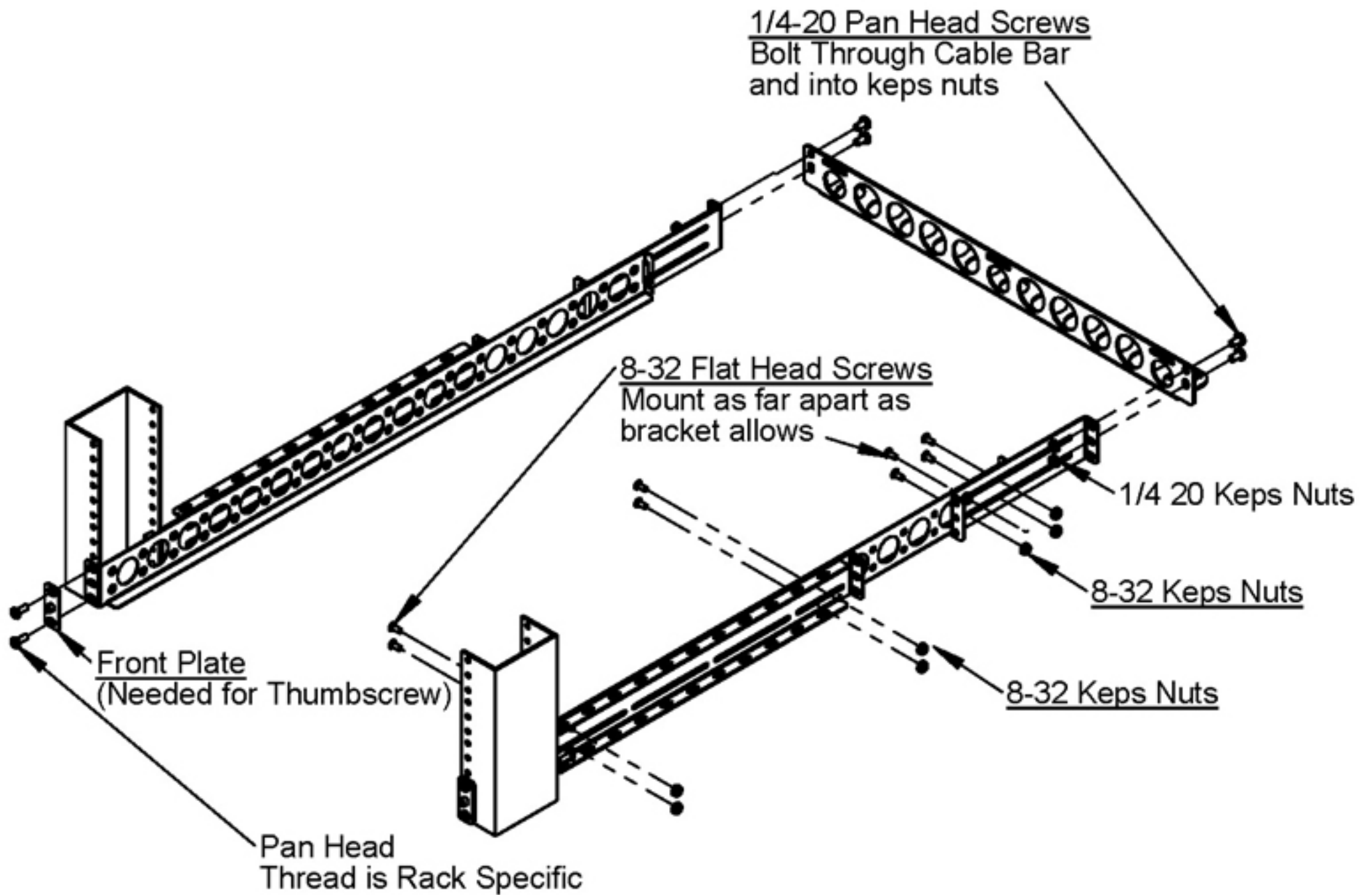
**2 Post Mounting:** Determine what type of thread is used in your rack, and use the provided screws, wherever the instructions call out a Rack Specific Screw



**Detail B  
Side View**

# Installation Instructions

**2 Post Rack, Flush Mounting:** Determine what type of thread is used in your rack, and use the provided screws, wherever the instructions call out a Rack Specific Screw



## Warranty Statement

Rackmount Solutions warrants our products against defects in material and workmanship for a period of one (1) year from the date of purchase. Rackmount Solutions liability shall be limited to repairing or replacing, at our option, any defective product.