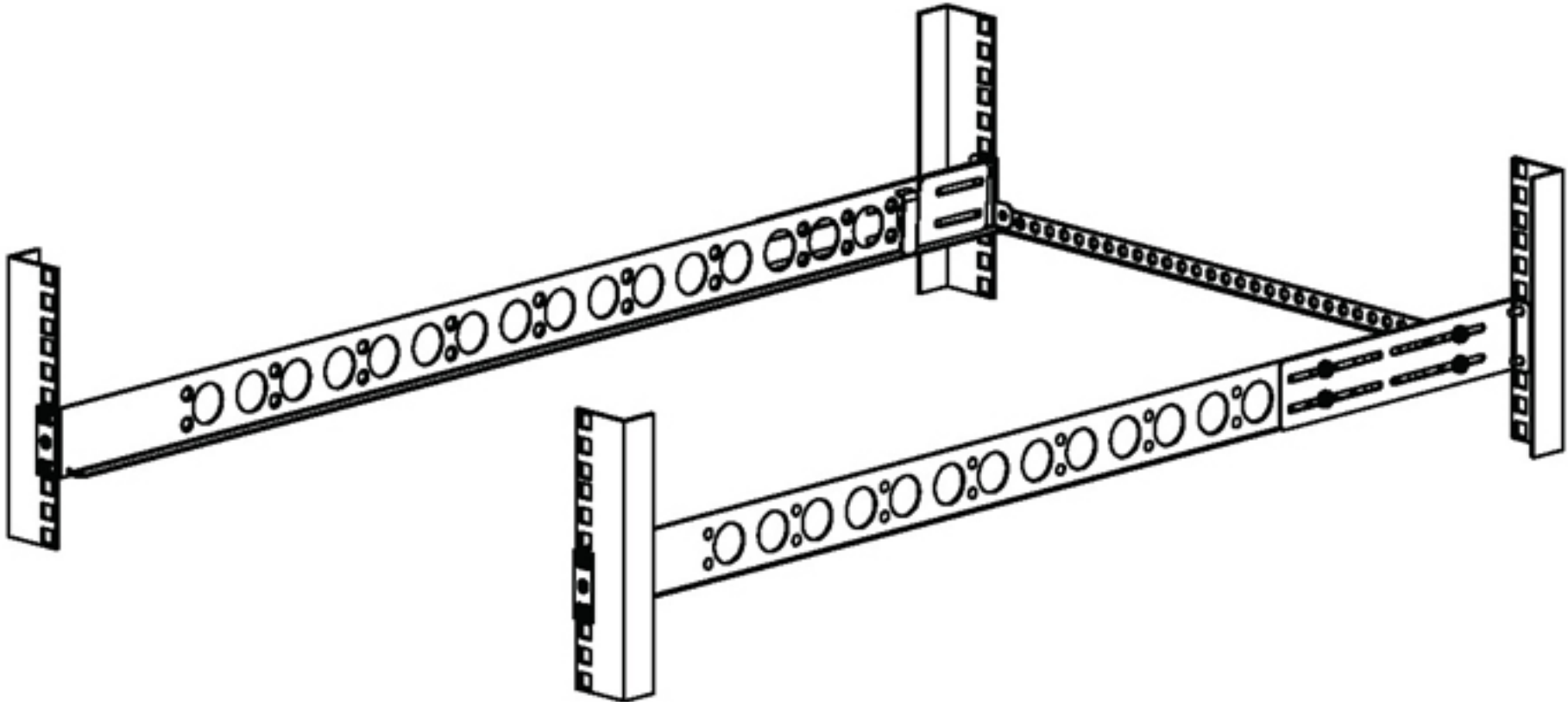
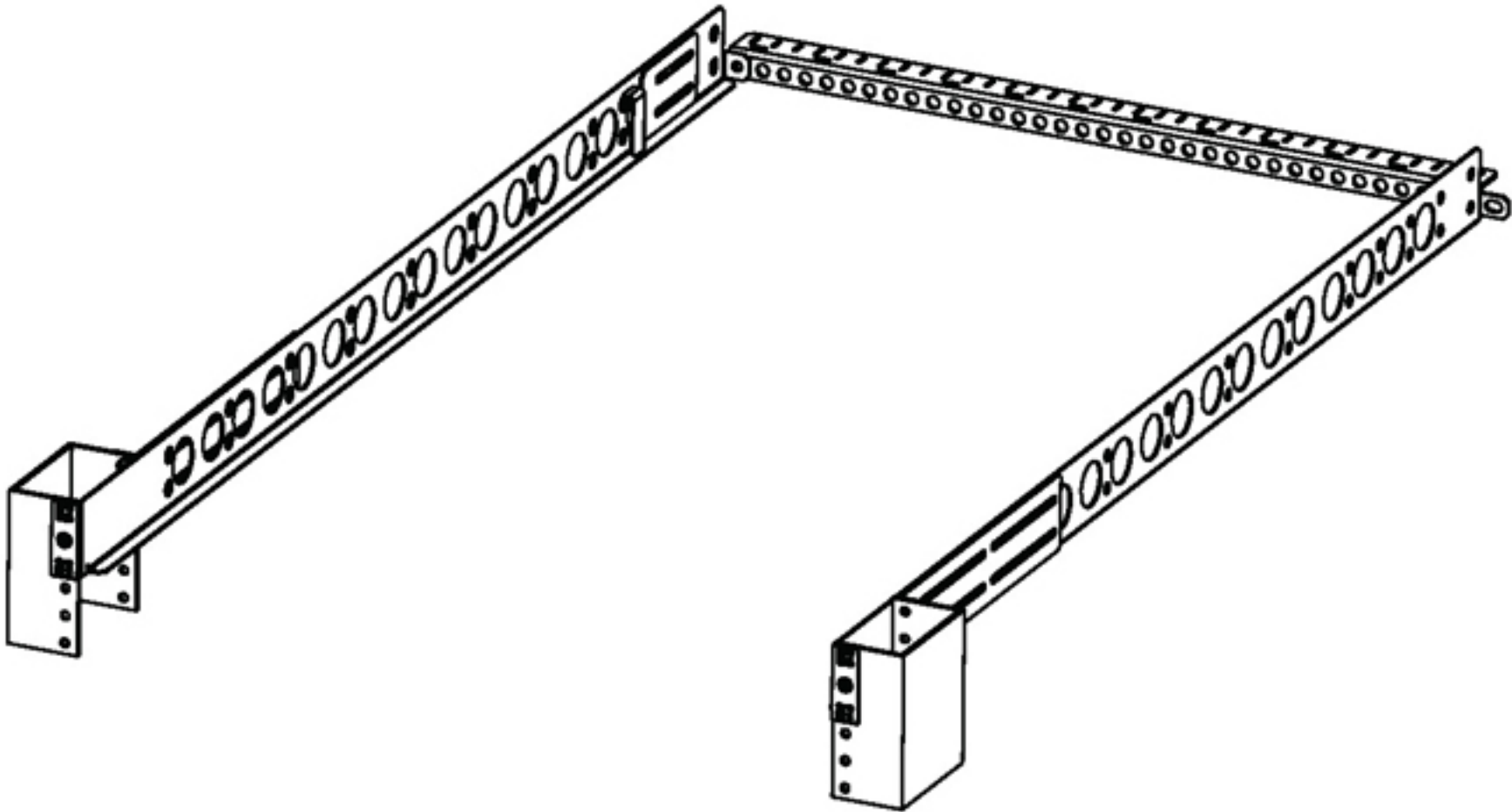


Adjustable Fixed Rails for



19" 4Post Racks



19" 2Post Flush

Installation Instructions
Kit P/N: BRK-HP-4P-002

Kit Contents

Components:

- | | |
|--------------------------|-------------------------|
| (1) Left Fixed Rail | (2) Spacers with PEM |
| (1) Right Fixed Rail | (2) Spacers without PEM |
| (2) Rear Brackets | (1) Bracket (Left) |
| (1) Cable Crossbar | (1) Bracket (Right) |
| (1) 30" Velcro Cable Tie | |

Assembly Hardware Kit:

- | |
|----------------------------|
| (8) 8-32 Flat Head Screws |
| (8) 8-32 Nuts |
| (8) 8-32 Pan Head Screws |
| (5) 8-32 Truss Head Screws |

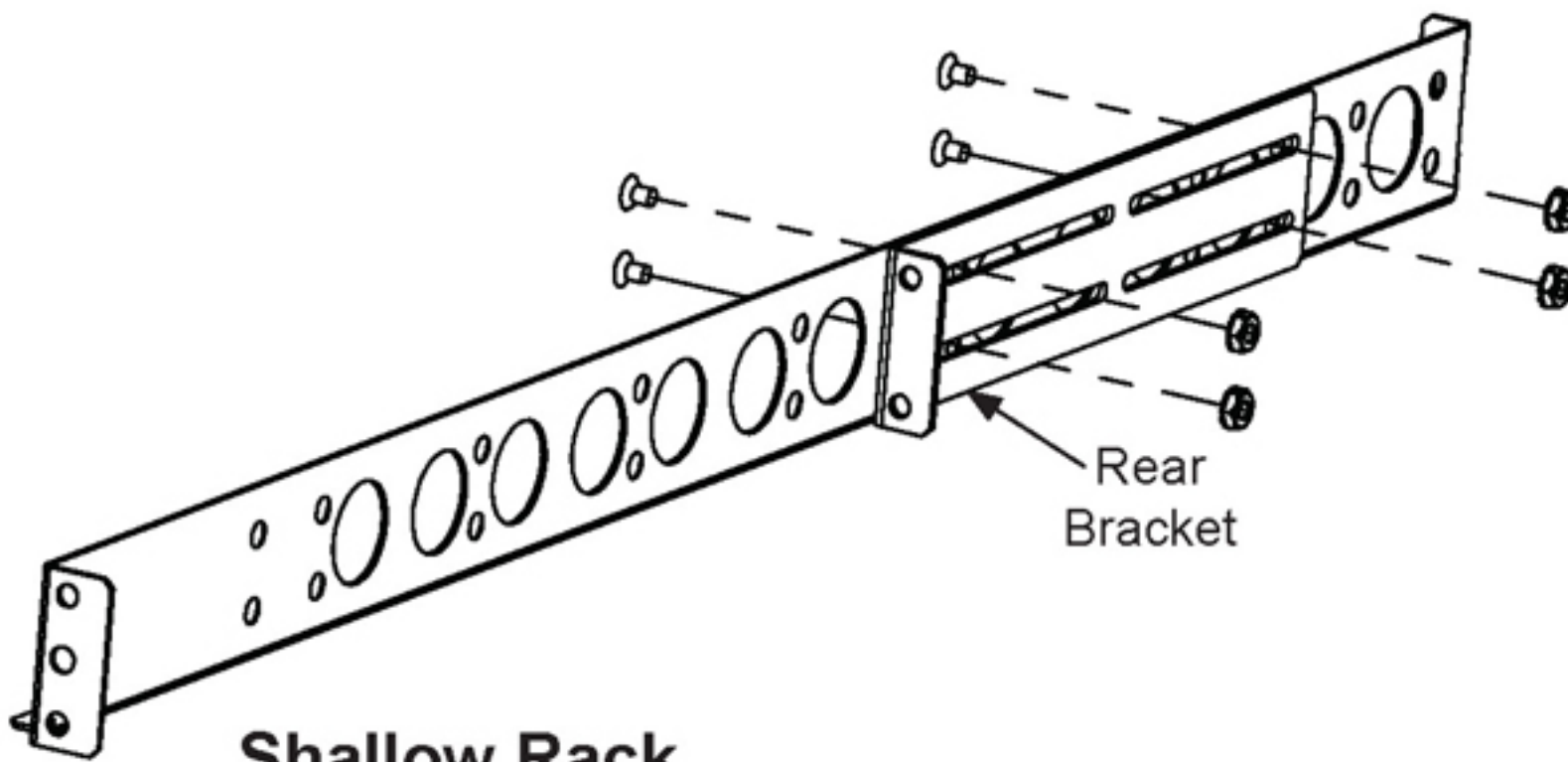
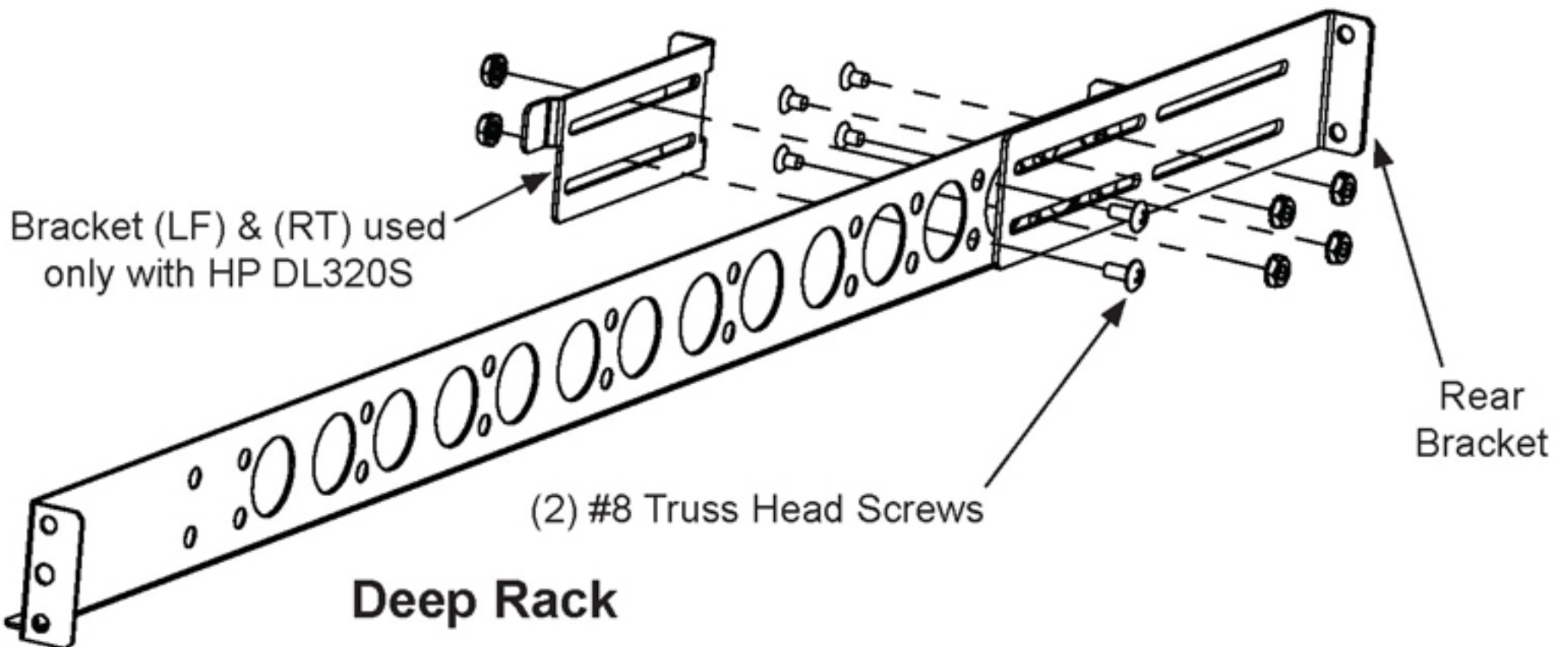
Model	Max Weight	Max Equipment Width	Min Equipment Width
BRK-HP-4P-001	45	17 21/32"	N/A

Installation Instructions

Step 1. Rail Assembly: Attach the Rear Brackets to each Fixed Rail using (4) 8-32 Flat Head Screws and (4) 8-32 Nuts. Always install the (4) screws and nuts as widely spaced as possible.

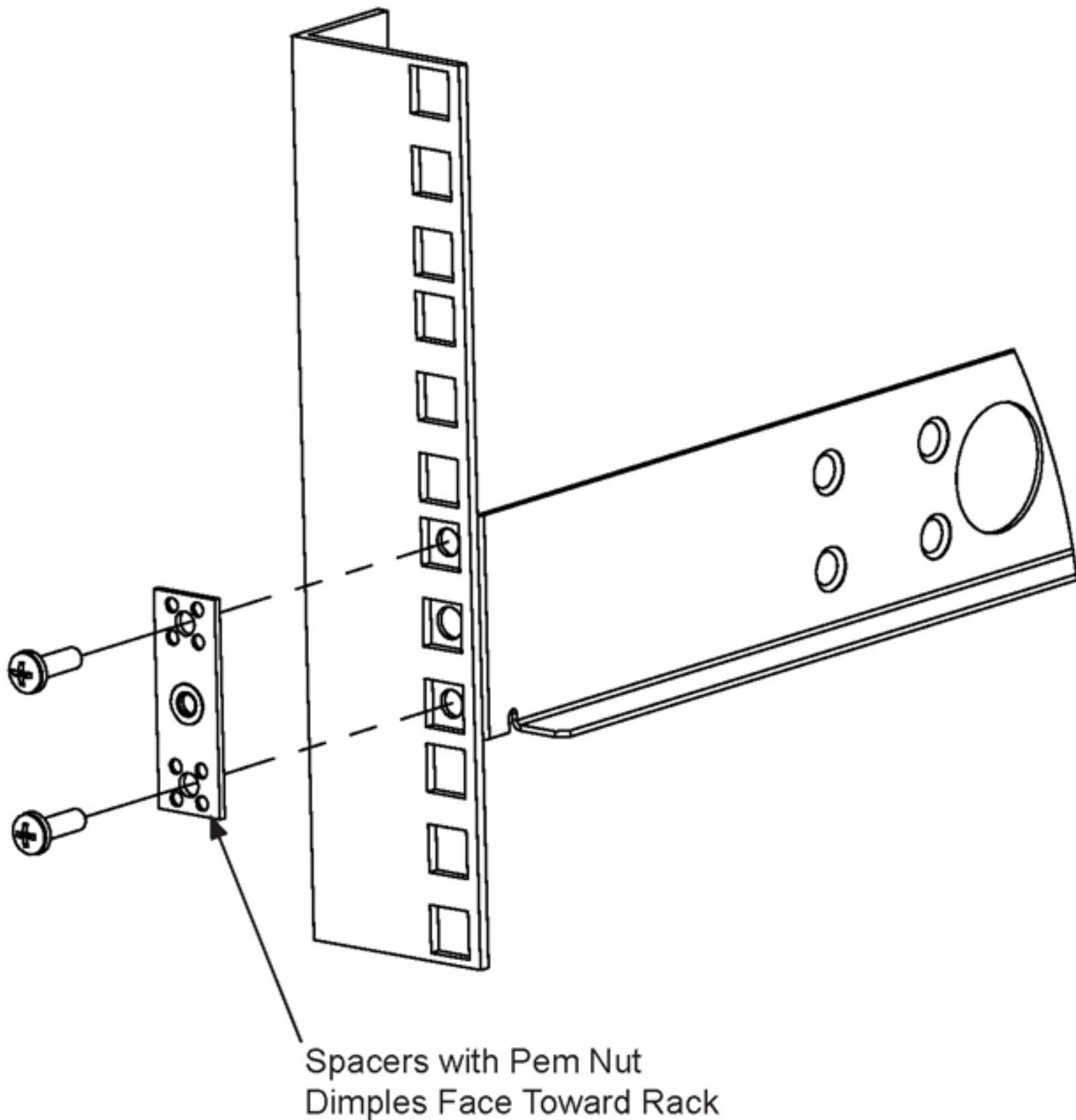
Only if using HP DL320S application: Attach Brackets Left and Right to Fixed Rail using (2) 8-32 Truss Head Screws and (2) 8-32 Nuts.

Note: There are multiple ways to orient the Rear Brackets as shown below.



Installation Instructions

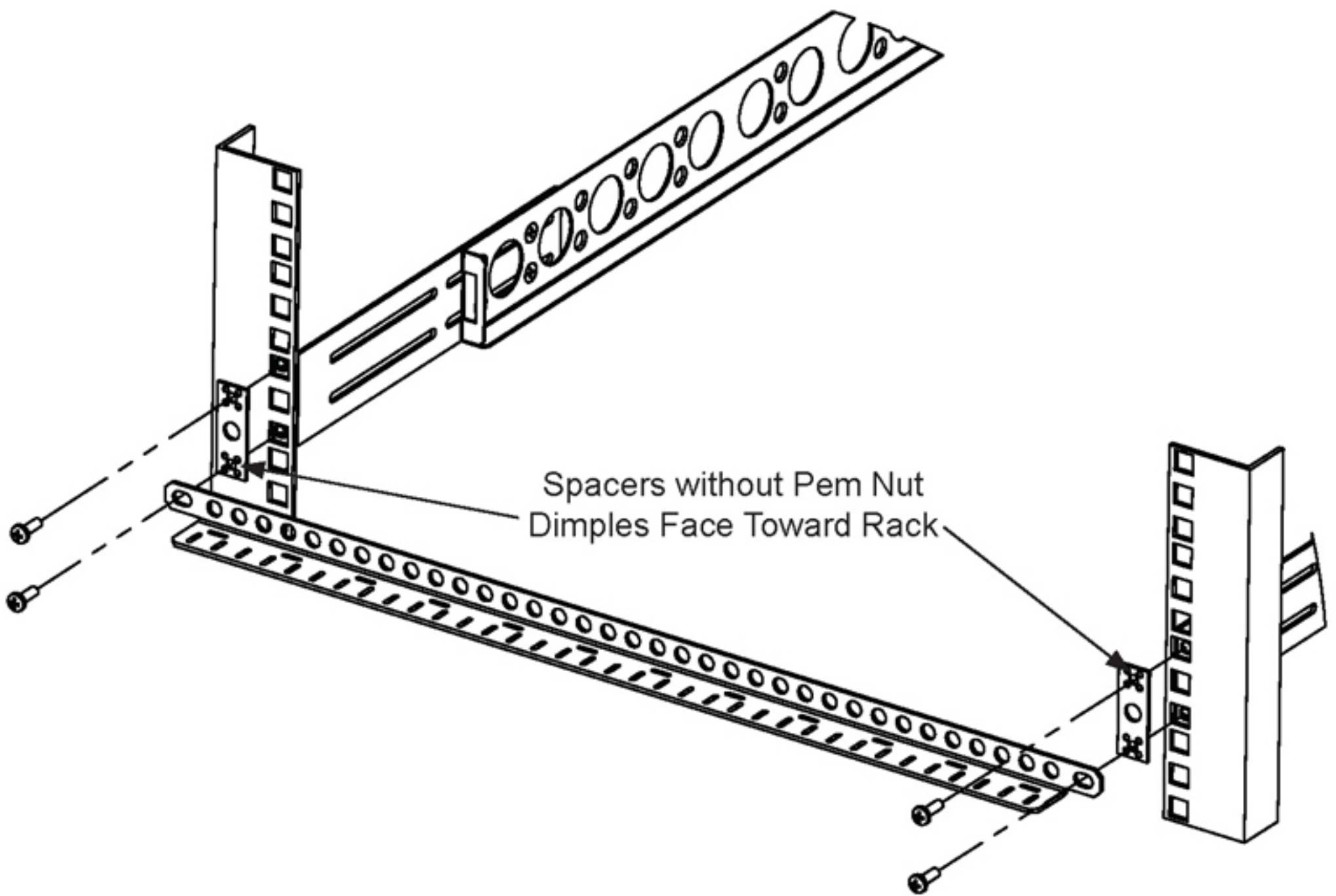
Step 2. Front Rack Attachment: Attach the front of each Fixed Rail to the rack using hardware from the Assembly Hardware Kit (see Page 2). This application works with Round Hole Racks also. Spacers not required if using a 10-32 Rack.



Note: 8-32 Front Hardware will feed thru 10-32 or 12-24 Racks into Fixed Rails.

Installation Instructions

Step 3. Cable Crossbar and Rear Rail Attachment: Attach the Cable Crossbar to the rack using hardware from the Assembly Hardware Kit (see Page 2). The Cable Crossbar can be co-located with the Fixed Rails (as shown below). The Cable Crossbar can be installed in other locations as needed. This application works with Round Hole Racks also. Spacer is not required if using a 10-32 Rack.



Note: 8-32 Rear Hardware will feed thru 10-32 or 12-24 Racks into Rear Brackets.

Warranty Statement

Rackmount Solutions warrants our products against defects in material and workmanship for a period of one (1) year from the date of purchase. Rackmount Solutions liability shall be limited to repairing or replacing, at our option, any defective product.