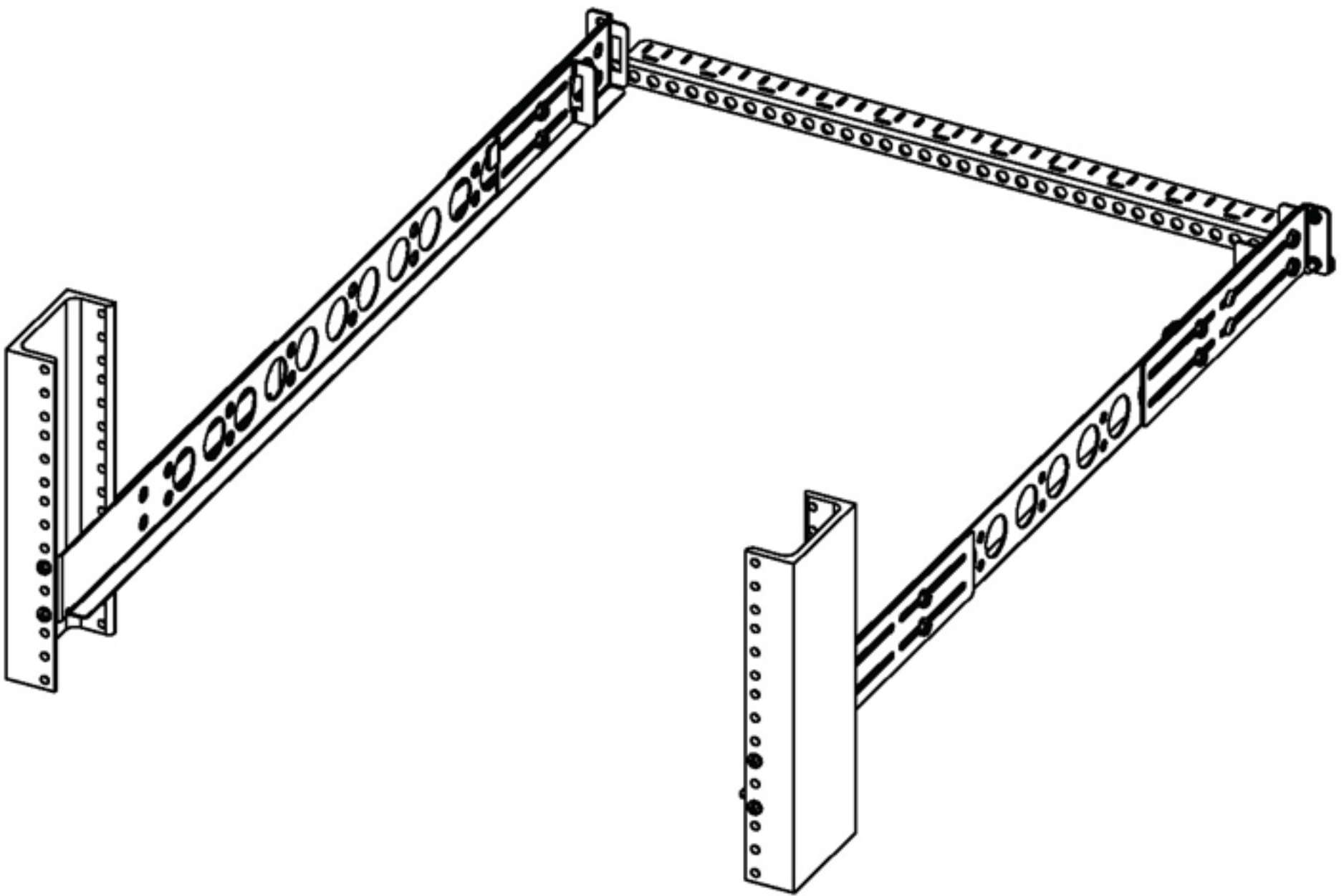


Flush Mount Rails for 19" 2Post Racks



Installation Instructions
Kit P/N: BRK-HP-2PF-001

Kit Contents

Components:

- (1) BRK-HP-4P-001
- (1) BRK-HP-2PF-001

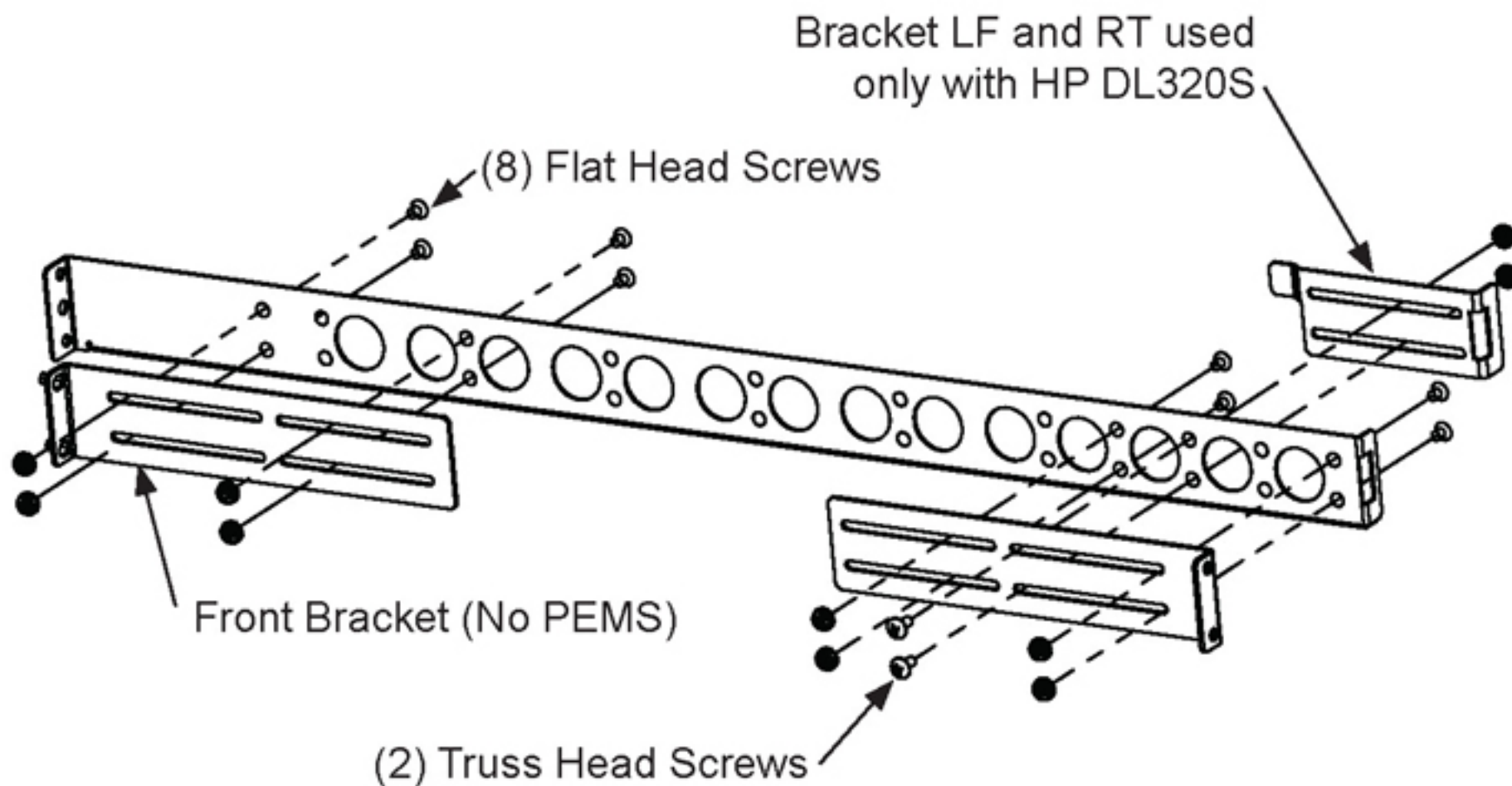
Rack Hole Type	Hardware Used
Threaded	Use the Appropriate Screw: (larger) 12-24 or (smaller) 10-32

Model	Max Weight	Max Equipment Width	Min Equipment Width
BRK-HP-2PF-001	45	17 21/32"	N/A

Rack Type	Compatibility
2POST Racks	3" - 6.5" Racks

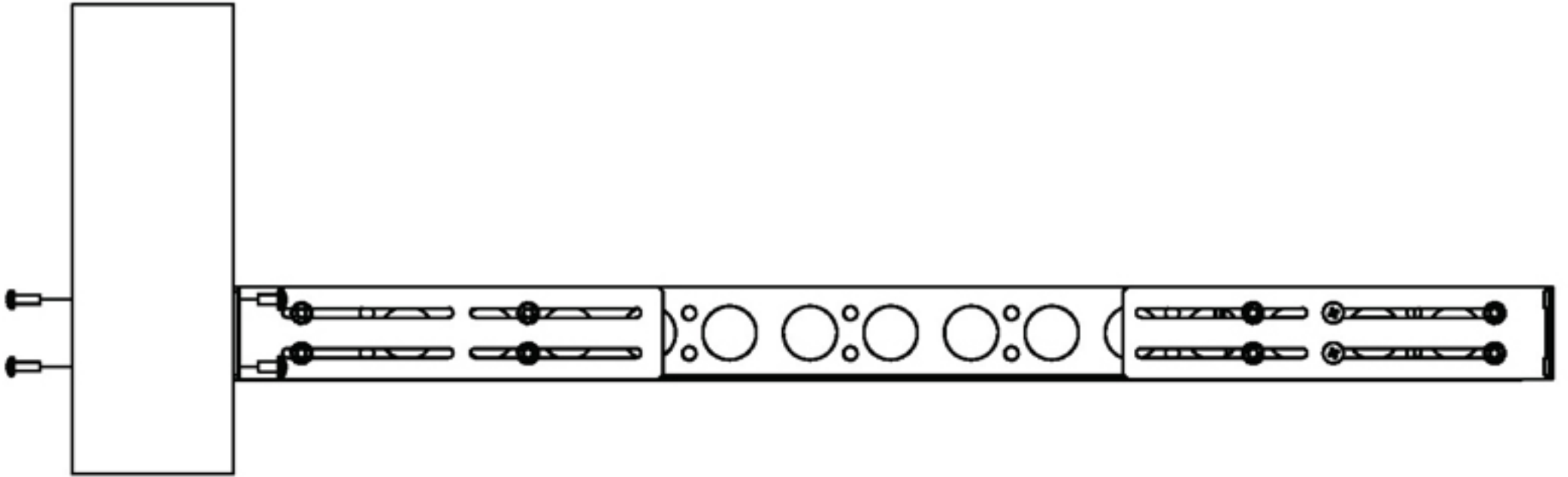
Installation Instructions

Step1. Rail Assembly: Attach the (2) Front and (2) Rear Brackets to the Fixed Rails using (4) 8-32 Flat Head screws and (4) 8-32 Nuts. Always install the screws and nuts as widely spaced as possible. If your application uses a HP DL320S Chassis you will need to attach the Left and Right Bracket using (2) 8-32 Truss Head screws and (2) 8-32 Nuts for each side.

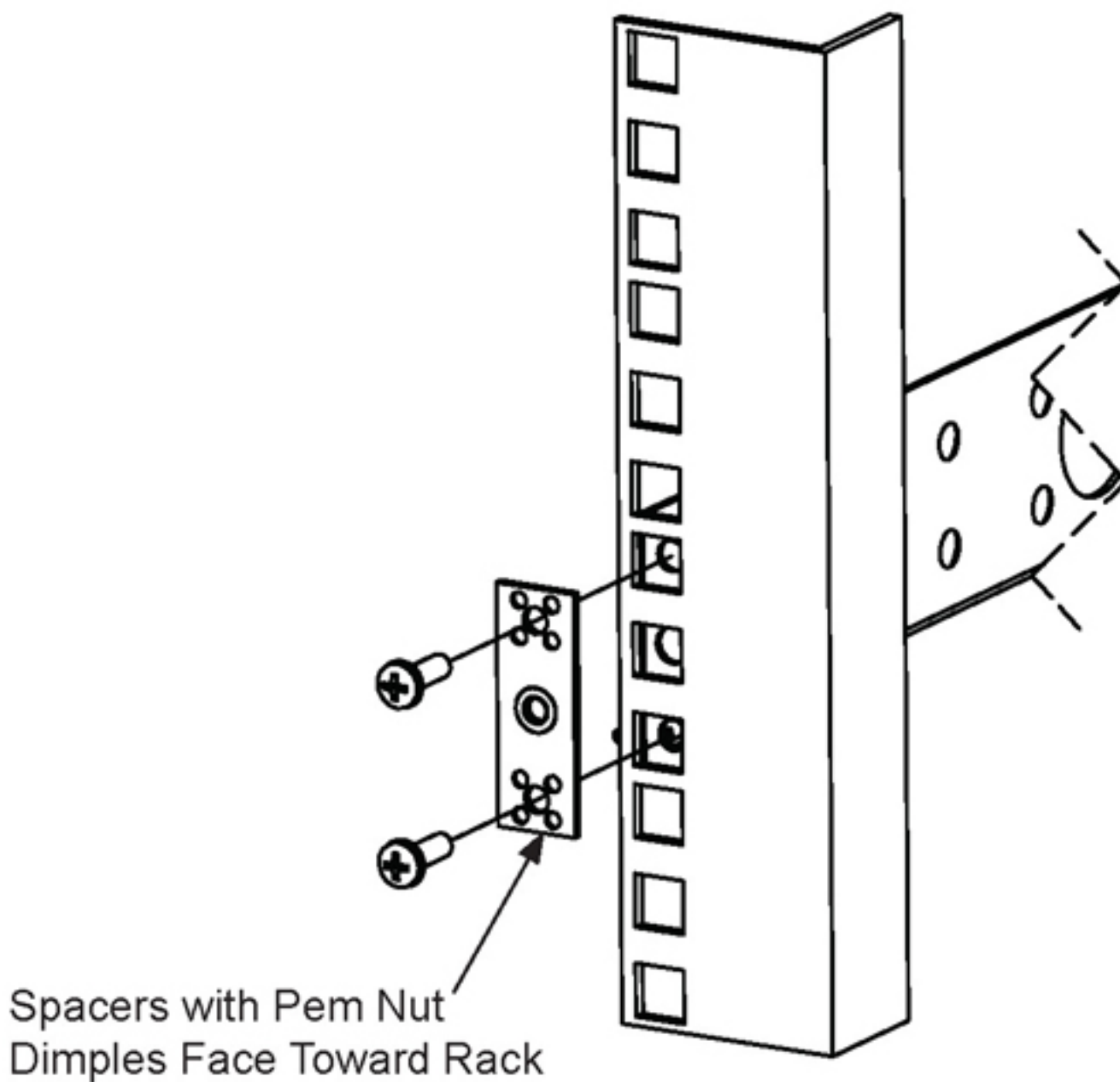


Installation Instructions (cont.)

Step 2a. Rail to Rack Attachment: Attach the front of each Fixed Rail to the rack using (2) 8-32 Truss Head screws. Attach the rear of each Fixed Rail Bracket to the rack using hardware supplied in Hardware Kit.



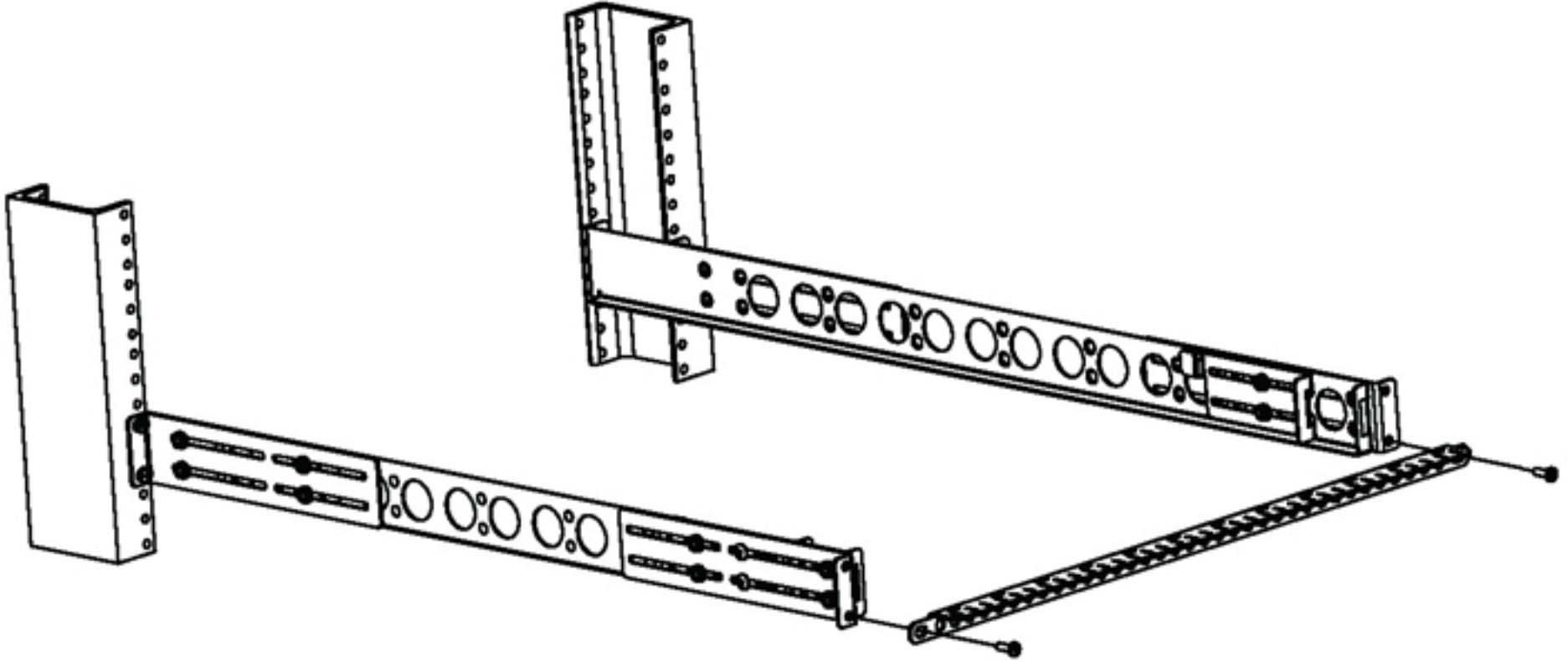
Step 2b. Squared Rack Attachment: Use Spacer with Pems if your application is using squared hole or 12-24 Racks. Spacers not required if using a 10-32 Rack.



Note: 8-32 Hardware will feed thru 10-32 or 12-24 Racks into Fixed Rails.

Installation Instructions

Step 3. Cable Crossbar Attachment: Attach the Cable Crossbar to the Rear Brackets using (2) 8-32 Truss Head screws supplied in Hardware Kit.



Warranty Statement

Rackmount Solutions warrants our products against defects in material and workmanship for a period of one (1) year from the date of purchase. Rackmount Solutions liability shall be limited to repairing or replacing, at our option, any defective product.