

WS-119



LCD Drawer & KVM Benefits

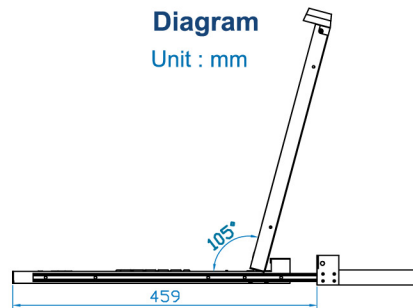
- ▶ Multi-user Matrix KVM with either 16 or 32 ports in 1U
- ▶ Cost efficient Combo KVM integration
- ▶ Direct support for SUN Micro 1152 x 900 native resolution
- ▶ 19" widescreen LCD with high resolution 1440 x 900
- ▶ Mix PS/2, USB & SUN with Multi-Platform switch capability
- ▶ Secure remote user access across the world wide web

Drawer Features & Options

- 1U rackmount drawer with 19" widescreen LCD
- Combo interface either PS/2 or USB input to the LCD drawer
- SUN key support including Stop, Cut, Paste, Compose etc
- US and UK keyboard language selections with either touchpad or trackball
- Enhanced aesthetics with new molded front panel and two point lock



Options



Monitor Grade A Wide 19" industrial TFT LCD panel

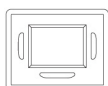
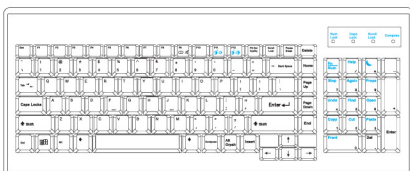
Dimensions

Model	Product Dimension (W x D x H)	Packing Dimension (W x D x H)	Net Weight	Gross Weight
WS-119 Series	442 x 600 x 44 mm 17.4 x 23.6 x 1.73 inch	581 x 755 x 172 mm 22.9 x 29.7 x 6.8 inch	18 kg / 40 lbs	24 kg / 53 lbs

Keyboard Selection

Supporting layouts USB interface, Incorporates SUN keys

Se NS keyboard integrated with touchpad



Sb NS keyboard integrated with trackball

