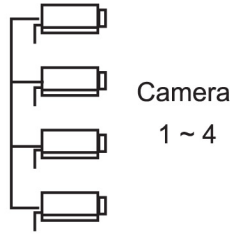


RP-W819QD

New

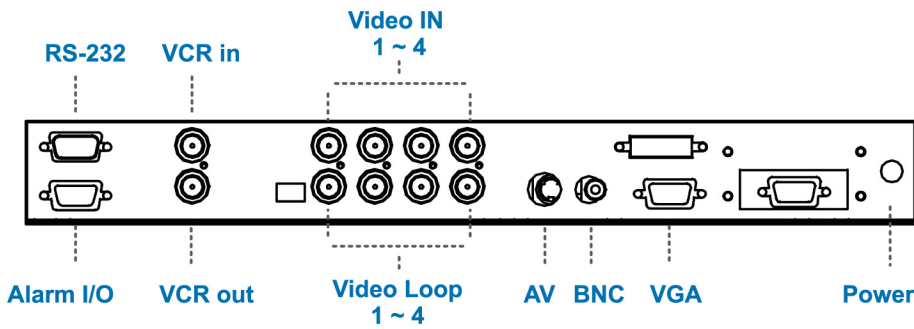


LCD Display Benefits

- ▶ Built-in Quad Display
- ▶ Ideal for CCTV security & industrial control
- ▶ High resolution 1440 x 900, 19" widescreen LCD

Display Features & Options

- 19" widescreen LCD in 8U
- **DC** 12V, 24V and 48V DC Power options



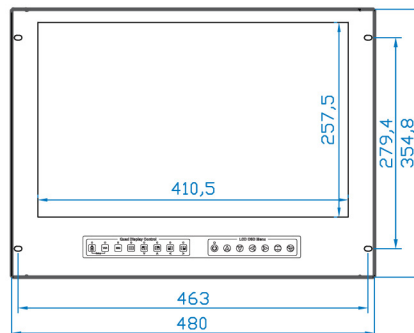
Front QD membrane button



Monitor **SAMSUNG** Grade A Wide 19" industrial TFT LCD panel

page 105 for full monitor details

Diagram Unit : mm



Ordering Information

Model	RP-W819QD
-------	-----------

Dimensions

Model	Product Dimension (W x D x H)	Packing Dimension (W x D x H)	Net Weight	Gross Weight
RP-W819QD Series	18.9 x 2.8 x 14 inch	22.2 x 19.5 x 6.1 inch	18 lbs	22 lbs

The rackmount width will be increased under RP widescreen series.
With Quad Display option, the front panel should be 2.0mm steel one.

