

LS-120



LCD Drawer & KVM Benefits

- ▶ Multi-user Matrix KVM with either 16 or 32 ports in 1U
- ▶ Cost efficient Combo KVM integration
- ▶ Direct support for SUN Micro 1152 x 900 native resolution
- ▶ Ultra high resolution 1600 x 1200
- ▶ Mix PS/2, USB & SUN with Multi-Platform switch capability
- ▶ Secure remote user access across the world wide web

Drawer Features & Options

- 1U rackmount drawer with 20" LCD
- Combo interface either PS/2 or USB input to the LCD drawer
- SUN key support including Stop, Cut, Paste, Compose etc
- US and UK keyboard language selections with touchpad
- Enhanced aesthetics with new molded front panel and two point lock



Options



DVI-D



DC Power

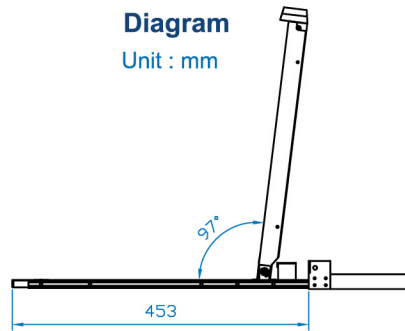
DVI-D



DC Power



Diagram
Unit : mm



Monitor  Grade A 20" industrial TFT LCD panel

Dimensions

Model	Product Dimension (W x D x H)	Packing Dimension (W x D x H)	Net Weight	Gross Weight
LS-120 Series	442 x 650 x 44 mm 17.4 x 25.6 x 1.73 inch	589 x 856 x 168 mm 23.2 x 33.7 x 6.6 inch	20 kg / 44 lbs	26 kg / 57 lbs

Keyboard Selection

Supporting layouts   USB interface, Incorporates SUN keys

NS NS keyboard with full numerical pad and SUN function

