

DS-117
DS-119



New
SOLARIS®

LCD Drawer & KVM Benefits

- ▶ 1U dual slide rackmount drawer with either 17" or 19" LCD
- ▶ Multi-user Matrix KVM with either 16 or 32 ports in 1U
- ▶ Cost efficient Combo KVM integration
- ▶ Direct support for SUN Micro 1152 x 900 native resolution
- ▶ Mix PS/2, USB & SUN with Multi-Platform switch capability
- ▶ Secure remote user access across the world wide web

Drawer Features & Options

- Combo interface either PS/2 or USB input to the LCD drawer
- SUN key support including Stop, Cut, Paste, Compose etc
- US and UK keyboard language selections with touchpad
- Enhanced aesthetics with new molded front panel and two point lock



Options



DVI-D

DC Power

DVI-D

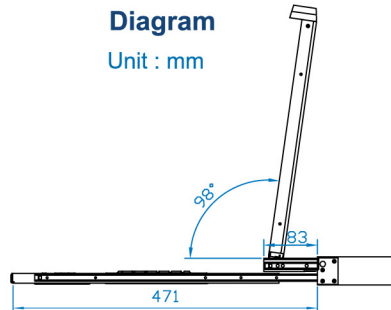


DC Power



Diagram

Unit : mm



Monitor  Grade A 17", 19" industrial TFT LCD panel

Dimensions

Model	Product Dimension (W x D x H)	Packing Dimension (W x D x H)	Net Weight	Gross Weight
DS-117 Series	442 x 650 x 44 mm 17.4 x 25.6 x 1.73 inch	589 x 856 x 168 mm 23.2 x 33.7 x 6.6 inch	16 kg / 35 lbs	22 kg / 48 lbs
DS-119 Series	442 x 650 x 44 mm 17.4 x 25.6 x 1.73 inch	589 x 856 x 168 mm 23.2 x 33.7 x 6.6 inch	17 kg / 37 lbs	23 kg / 51 lbs

Keyboard Selection

Supporting layouts   USB interface, Incorporates SUN keys

Se NS keyboard integrated with touchpad

