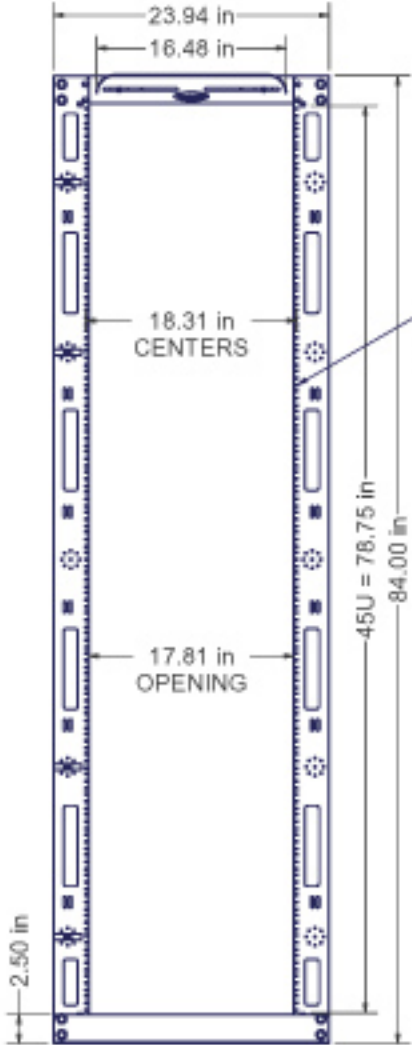


CMR45U ASSEMBLY INSTRUCTIONS

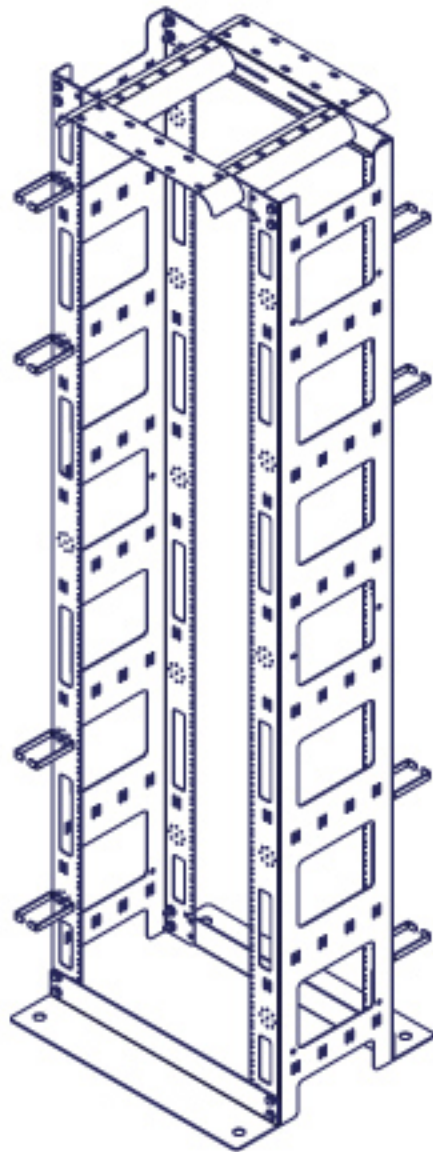
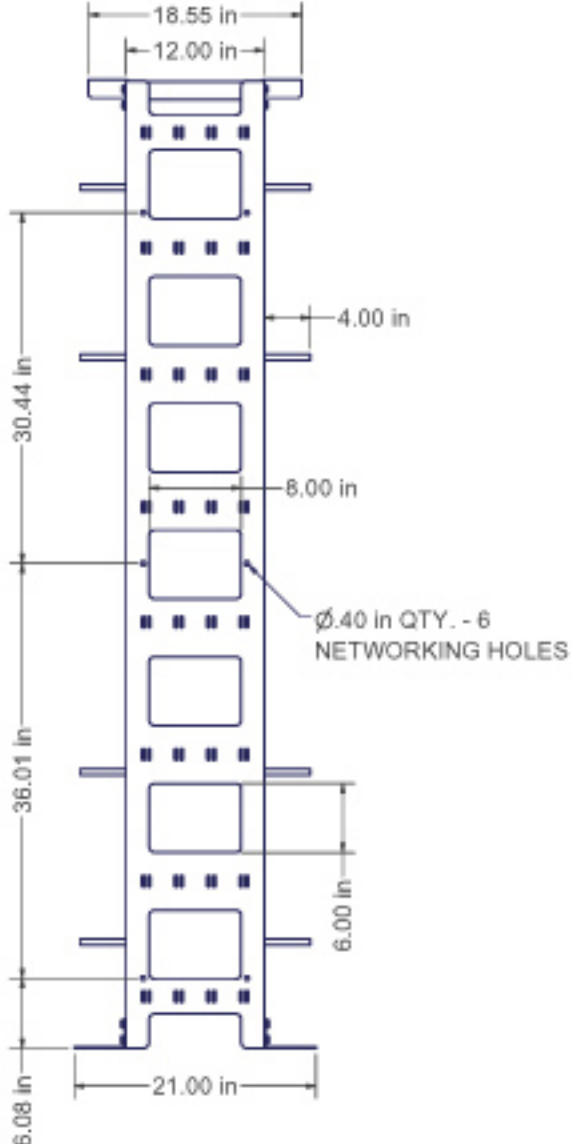
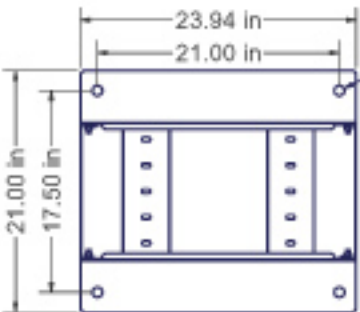


TAPPED HOLES #12-24 UNC - 2B

18.31 in CENTERS

17.81 in OPENING

Ø.88 in MOUNTING HOLES (4)



www.rackmountsolutions.net
 1-866-207-6631
sales@rackmountsolutions.net

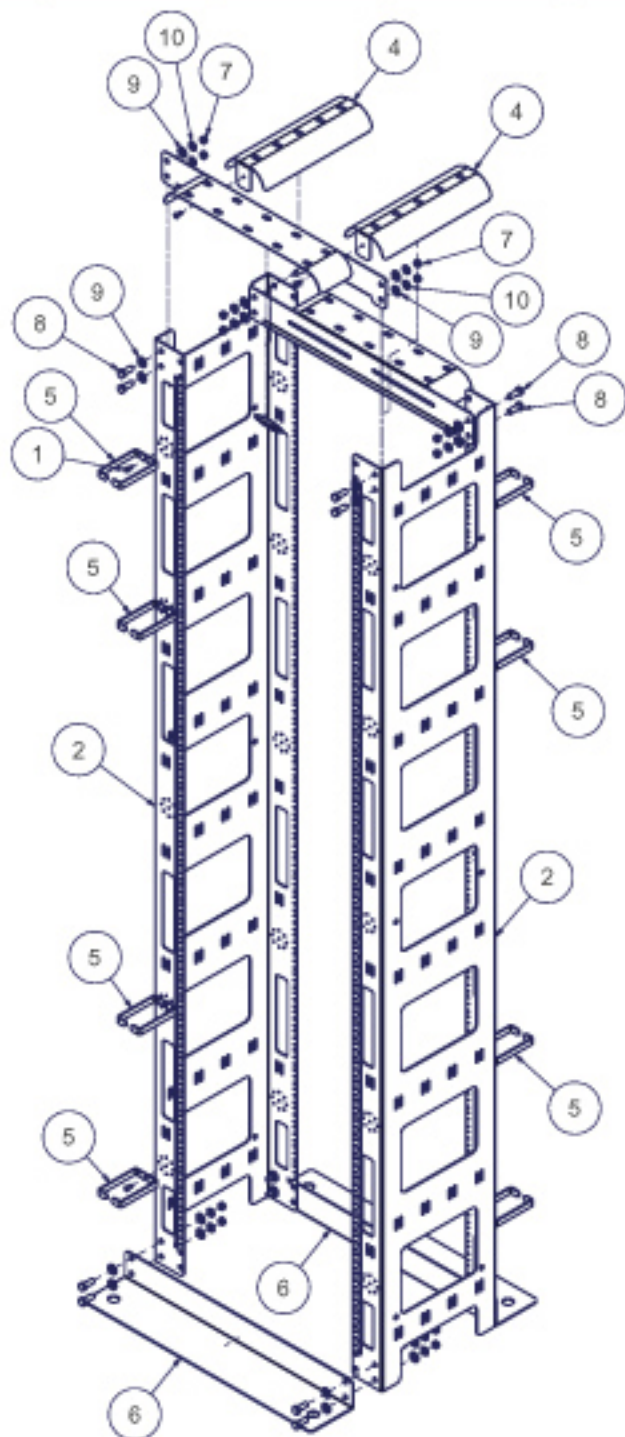
INTERPRET DRAWING PER ASME Y14.5M-1994
DIMENSIONAL UNITS APPLY AFTER APPLICATION OF FINISH
DRAWING NOT TO SCALE
TOLERANCE UNLESS OTHERWISE NOTED:
ANGULAR ± 1°
XXX ± .010
XXX ± .005
XXX ± .003
X FOR REF. ONLY
UNLESS OTHERWISE SPECIFIED ALL DIMENSIONS ARE IN INCHES

NOTICE:
 Use of this document is subject to a confidentiality and nondisclosure agreement with Great Lakes Case & Cabinet Co., Inc. (GLCC) and may not be reproduced, disclosed or utilized in whole or in part without prior written authorization from GLCC.

PART NUMBER	
ICCMR45U	
QTY PER UNIT	1
MATERIAL TYPE	
MATERIAL GRADE	
FINISH	
DESIGN	DATE
JL	9/20/2000
CHECKED BY	DATE
WSS	9-28-07

TITLE	
INSTRUCTION SHEET FOR THE CMR45U	
GREAT LAKES CASE & CABINET CO., INC.	
DRAWING NO.	REV
1005977	0
SHEET: 1 OF 2	





TOOLS REQUIRED:
 (2) 9/16" Sockets or Wrenches,
 Level or Carpenter Square

Bill of Materials		
ITEM	QTY	DESCRIPTION
1	12	SCREW, 12-24x1/2" PH PAN TYPE 23 BLACK OXIDE/WAX ROHS
2	2	UPRIGHT CHANNEL
3	2	CROSS BRACE, WATERFALL EDGE
4	2	CENTER WATERFALL BRACKET, ADJUSTABLE
5	8	CABLE RING
6	2	FLOOR MOUNTING BRACKET
7	16	NUT, 3/8" 16, HEX, STEEL, BLACK
8	16	BOLT, 3/8" 16 X 1" HEX HD, GR 2, STEEL, BLACK
9	32	WASHER, 3/8" FLAT, STEEL, BLACK
10	16	WASHER, 3/8" SPLIT LOCK, STEEL, BLACK

STEP-1)
INSTALLING FRONT WATERFALL CROSSBRACE & FLOOR BRACKET.
 A. Lay Upright Channels on edge and open sides of the channel face each other.
 B. Align thru holes in Cross Brace Waterfall Edge behind the top thru holes in the Upright Channels. Install (6) 3/8" Hex Head Bolts, (12) 3/8" Flat Washers, (6) 3/8" Lock Washers, (6) 3/8" Hex Nuts. (finger tight).
 C. Align thru holes in Floor Mounting Bracket in front of the bottom thru holes in the Upright Channels. Install same amount of hardware. (finger tight).

STEP-2)
INSTALLING REAR CROSS BRACE & FLOOR BRACKET.
 A. Align thru holes in Floor Mounting Bracket in front of the bottom thru holes in the Upright Channels. Install same amount of hardware. (finger tight).
 B. Install Center Waterfall Brackets (2) to the Cross Brace with (1) #12-24 Pan Head Screw per bracket thru the slots in the Cross Brace. **MUST BE INSTALLED PRIOR TO INSTALLING REAR CROSS BRACE ONTO UPRIGHT CHANNELS.**
 C. Align thru holes in Cross Brace behind the top thru holes in the Upright Channels. Install (6) 3/8" Hex Head Bolts, (12) 3/8" Flat Washers, (6) 3/8" Lock Washers, (6) 3/8" Hex Nuts. (finger tight).

STEP-3)
FINAL TIGHTENING.
 A. Stand rack upright. Square unit using Level or Carpenter Square. Tighten all bolts using 9/16" sockets and or wrenches.

STEP-4)
SECURE RACK TO FLOOR.
 A. All racks should be bolted to the floor, or to an equally stabilizing & secure surface prior to any equipment installation.

STEP-5)
INSTALLING CABLE RINGS
 A. Align the pins on the rear of the Cable Rings, in any of the 16 mounting locations per Upright Channel and at any 45 degree increment of rotation using (1) #12-24 Pan Head Screw in the center.

INTERPRET DRAWING PER ASME Y14.5M-1994 DIMENSIONAL UNITS APPLY AFTER APPLICATION OF FINISH DRAWING NOT TO SCALE TOLERANCE UNLESS OTHERWISE NOTED: ANGULAR ± .1° XXX ± .010 XXXX ± .005 XXX ± .008 X FOR REF. ONLY	NOTICE: Use of this document is subject to a confidentiality and nondisclosure agreement with Great Lakes Case & Cabinet Co., Inc. (GLCC) and may not be reproduced, disclosed or utilized in whole or in part without prior written authorization from GLCC.	PART NUMBER ICCMR45U	TITLE INSTRUCTION SHEET FOR THE CMR45U
		QTY PER UNIT 1	GREAT LAKES CASE & CABINET CO., INC. P.O. BOX 661 EMBORO, PA 16812 PHONE (814) 734-7300 FAX (814) 734-3907 E-MAIL: glcc@greatlakescc.com
THIRD ANGLE PROJECTION UNLESS OTHERWISE SPECIFIED ALL DIMENSIONS ARE IN INCHES	DRAWN DATE JL 9/20/2007	CHECKED DATE WSS 9/24/07	DWG NO. 1005977
			REV 0

