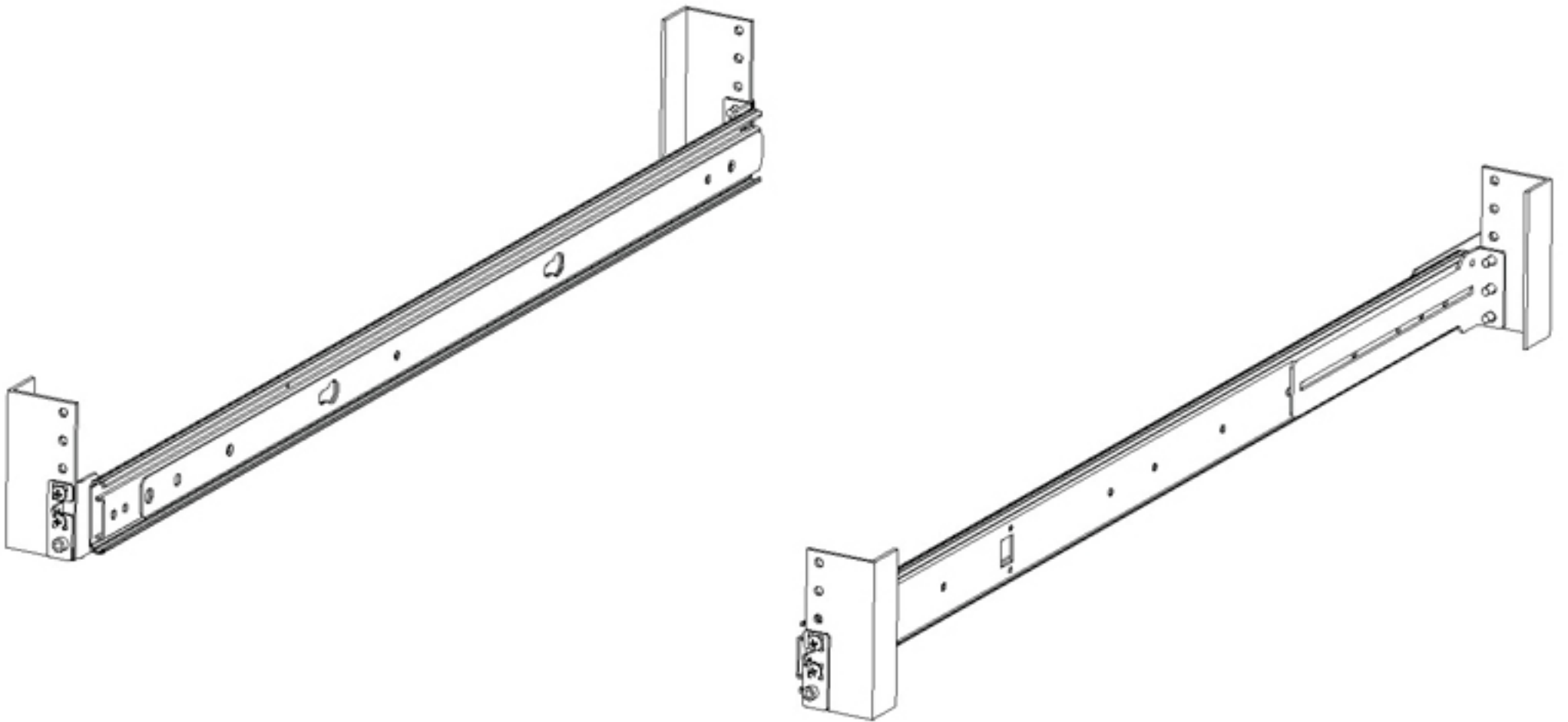


# Sliding Rail Kit for Dell Servers



## Installation Instructions

P/N: 1URAIL-R6

P/N: 1UARM-R6 (Optional)

# Kit Contents

## Kit Contents

- (2) Inner Rail/Shim Assemblies
- (2) Outer Rail/Rack Bracket Assemblies

## Rail Hardware:

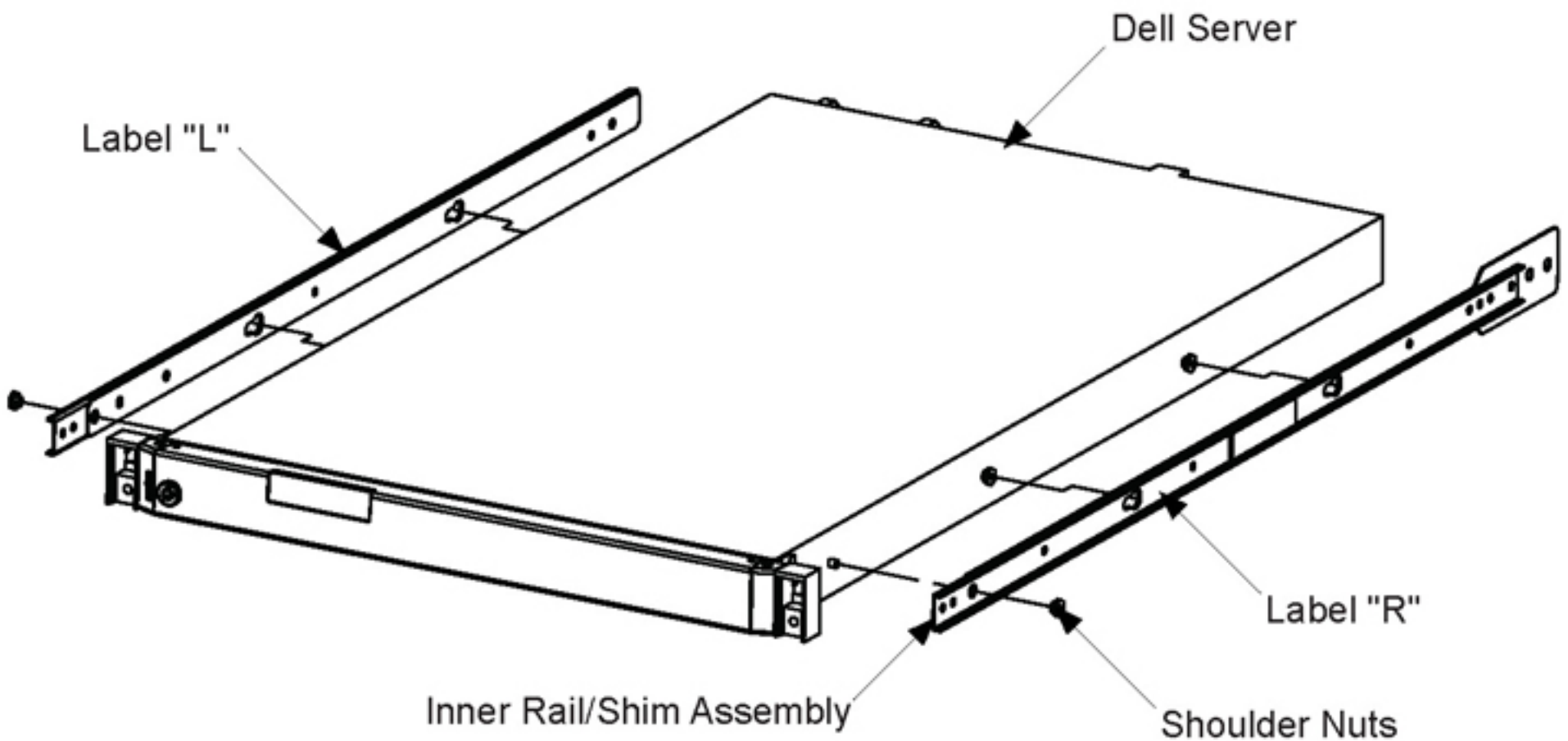
- (4) 8-32 Keps Nuts
- (4) 8-32 x .375 Truss Head Screws
- (10) 8-32 x .500 Pan Head Screws

# Installation Instructions

**Step 1. Attach Rear Brackets:** Attach the Rear Brackets to the outer rail assemblies, using included 8-32 x .375 truss head screws and keps nuts. Make sure you attach them at the desired "Mounting Depth".

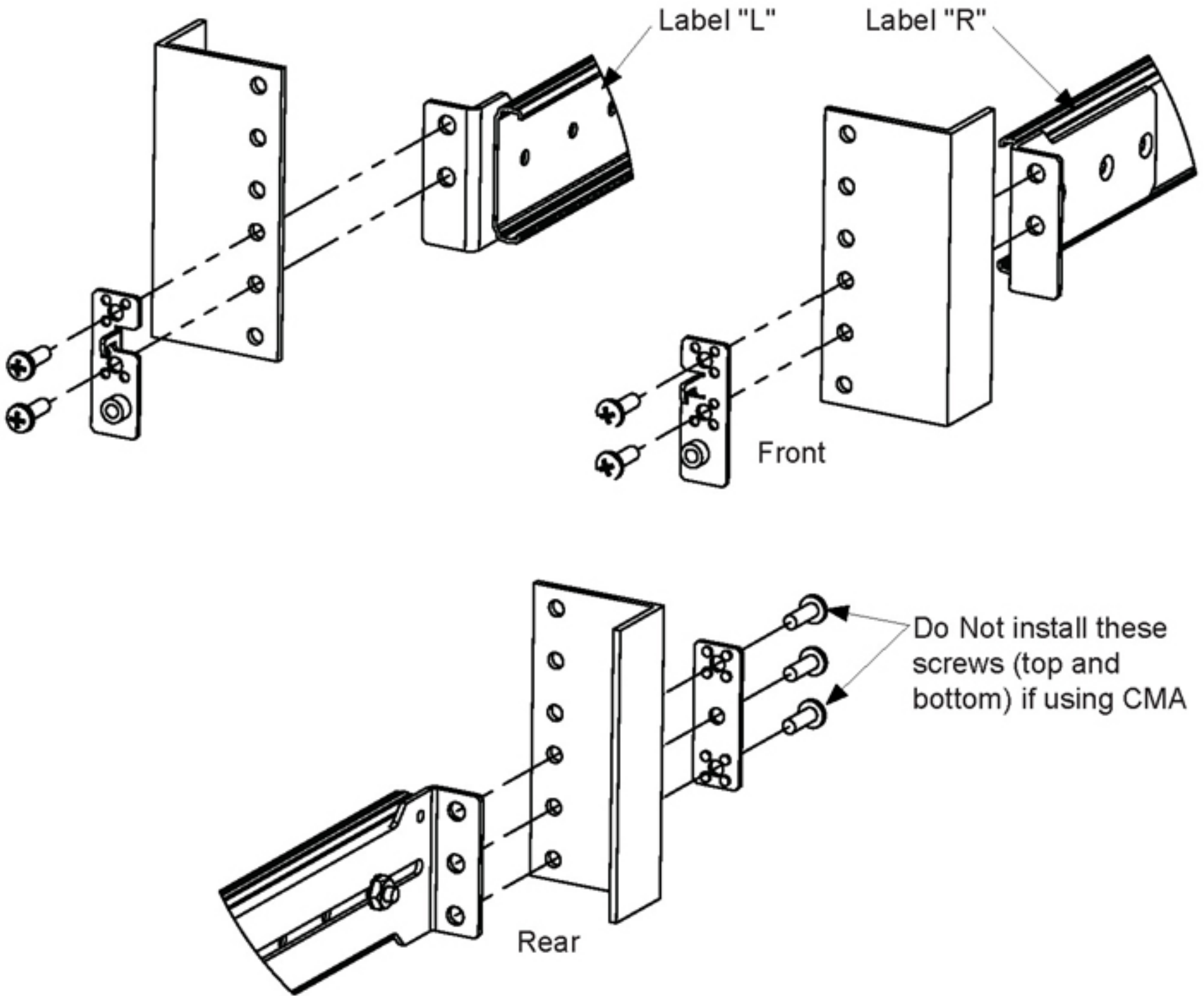


**Step 2. Rail Attachment:** Slide the inner track of the rail completely out of the outer rail. You do this by pulling forward on the White Plastic Safety Latch, then out on the rail. Remove the front Dell Shoulder Nut using a 3/8" wrench, and slide the rail onto the box. Re-attach the Dell Shoulder Nut which will lock the rail in place. Repeat for the other side.

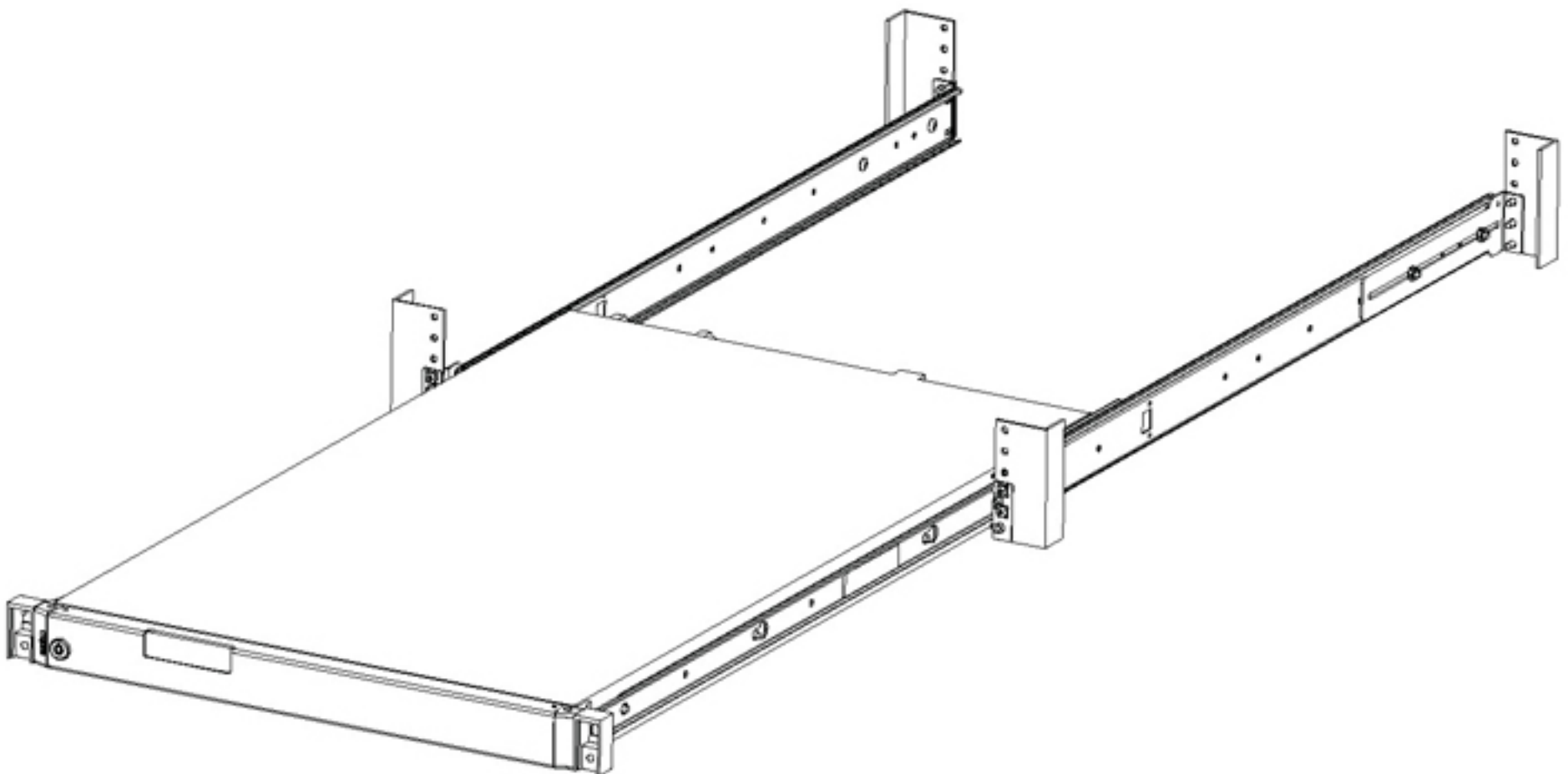


# Installation Instructions

**Step 3. Mount Outer Rail Assemblies:** Mount both rails in the Rack as shown below.



**Step 4. Mount Box:** Using two people carefully slide the box into the rails in the rack.



# Kit Contents for Cable Management Arm

---

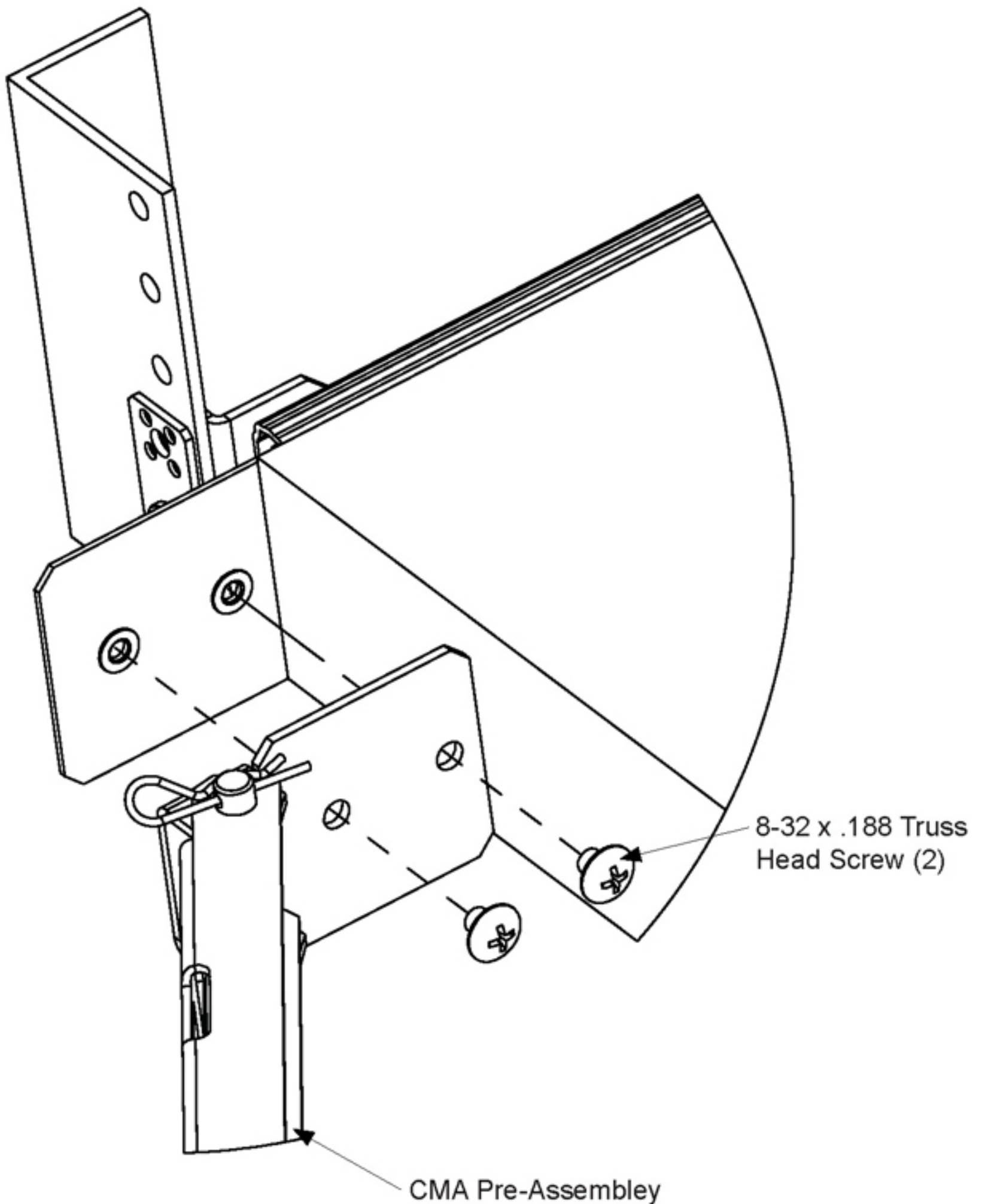
## Cable Arm Hardware:

- |                                   |                                   |
|-----------------------------------|-----------------------------------|
| (1) Cable Management Arm Assembly | (1) Catch                         |
| (2) Brackets AL & AR              | (6) 8-32 x .375 Truss Head Screws |
| (2) Brackets BL & BR              | (8) 8-32 Keps Nuts                |
| (1) Bracket C                     | (2) 8-32 x .188 Pan Head Screws   |
|                                   | (2) 8-32 x .375 Flat Head Screws  |

## Cable Management Installation Instructions

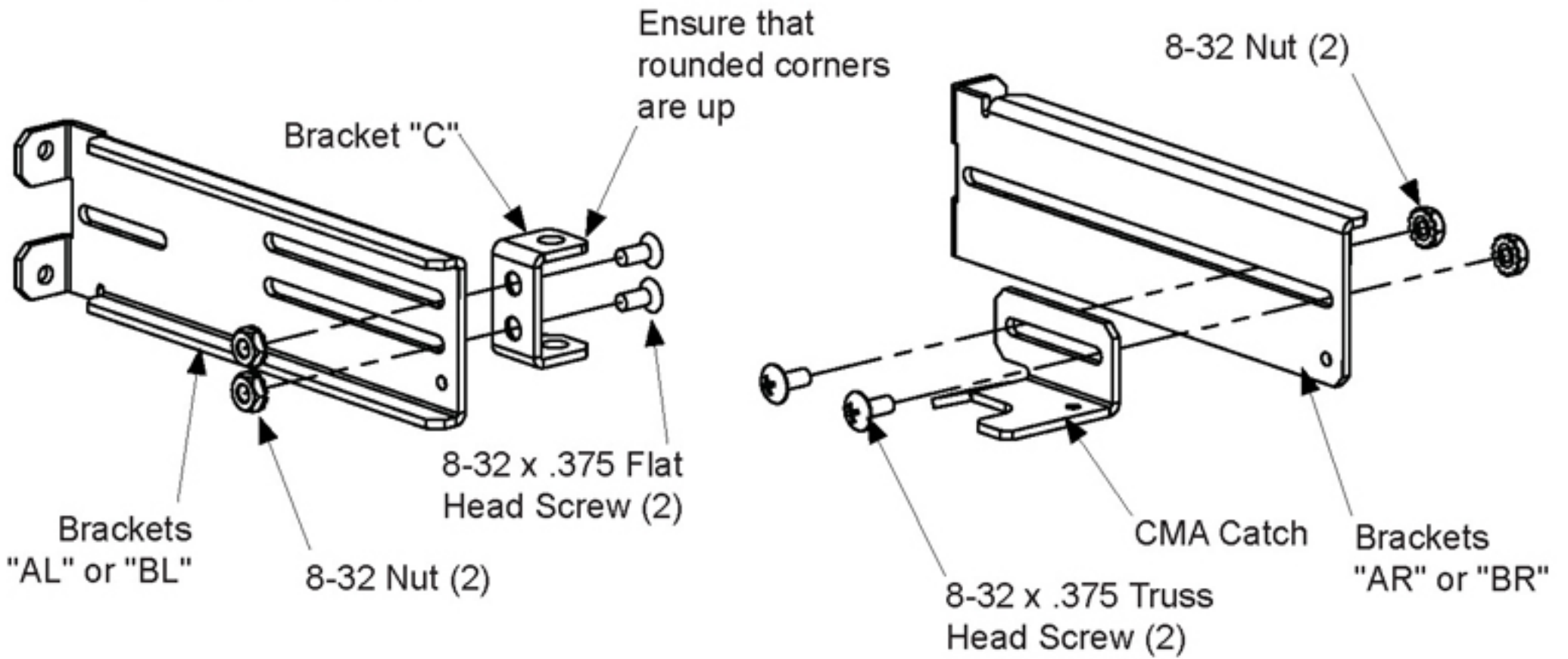
---

**Step 1. Attach CMA:** Attach the CMA Bracket to the inner shim, using the specified hardware.

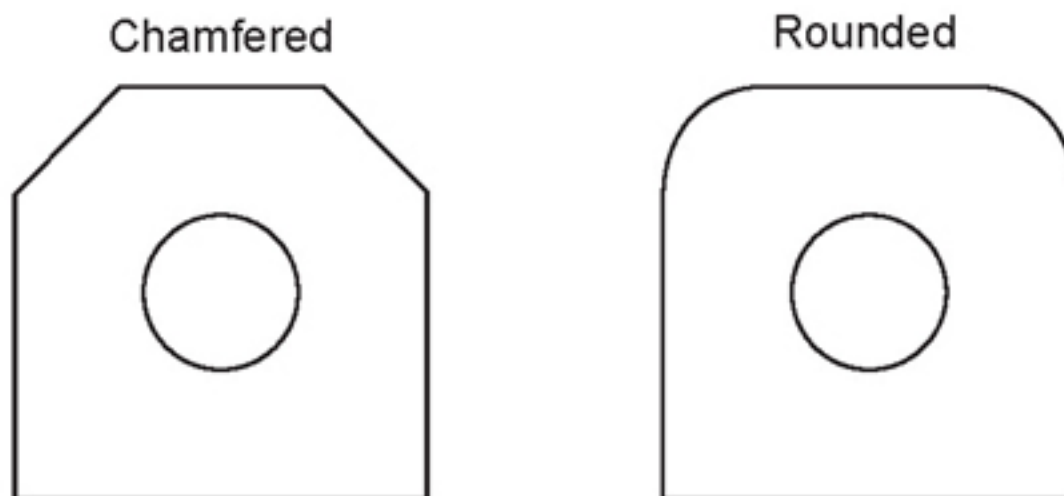


# Cable Management Installation Instructions

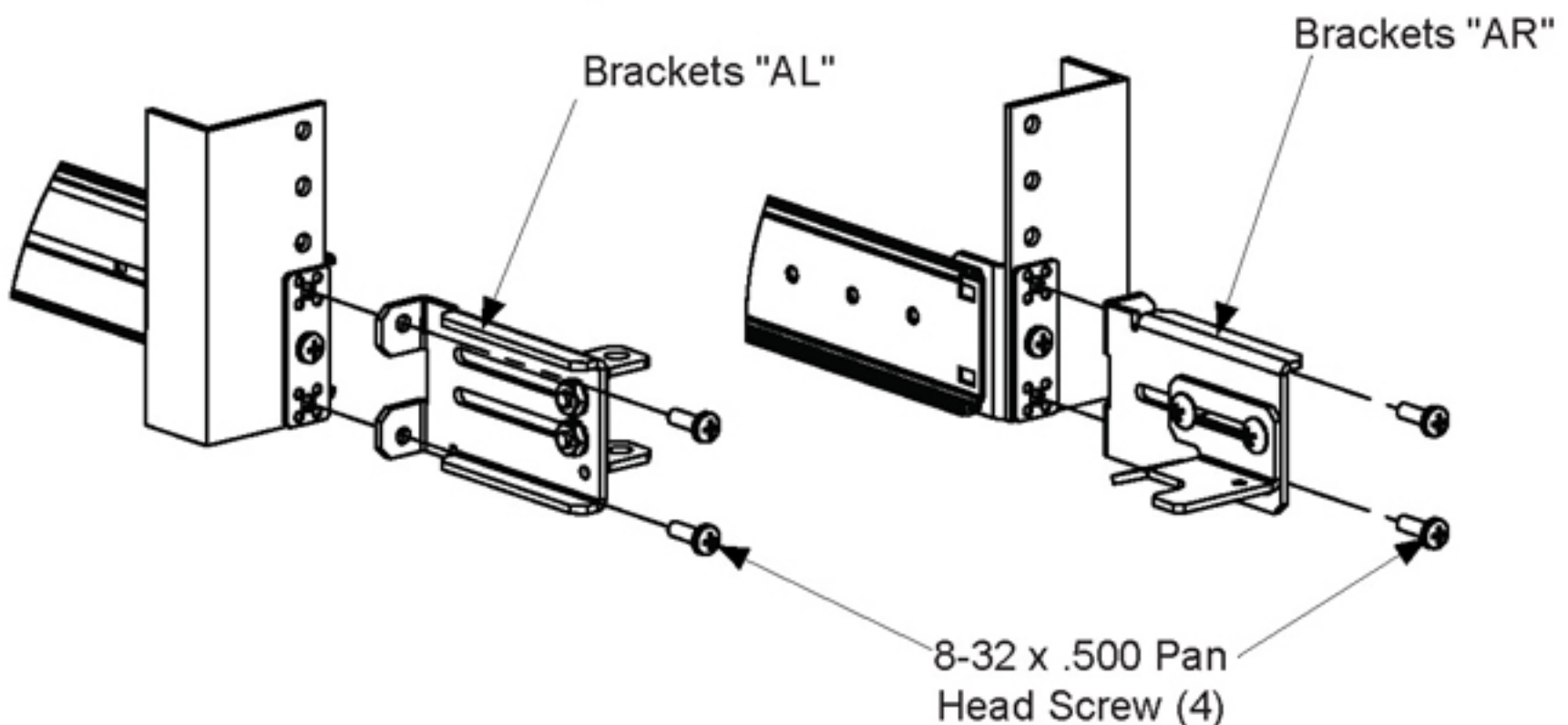
**Step 2. Mounting Depth Choice:** For Mounting Depth greater than 28.875" [733mm] use **Brackets AL & AR**. For Mounting Depth 18"-28.875" [457mm - 733mm] use **Brackets BL & BR**.



**Note:** Attach Bracket: Attach Bracket C, ensuring that the rounded corners are up, to Brackets AL or BL. Attach the CMA Catch to Bracket AR or BR.



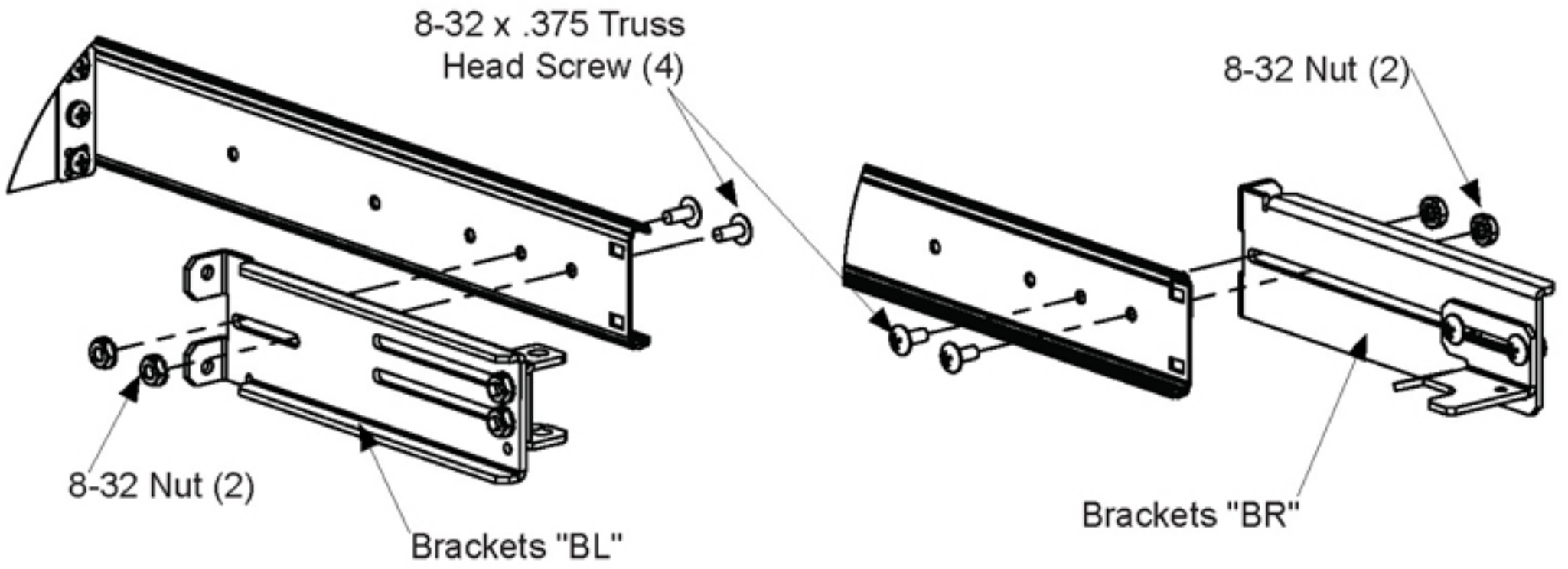
**Step 3a. Attach Brackets AL and AR:** Attach to the rear of the rack as shown.



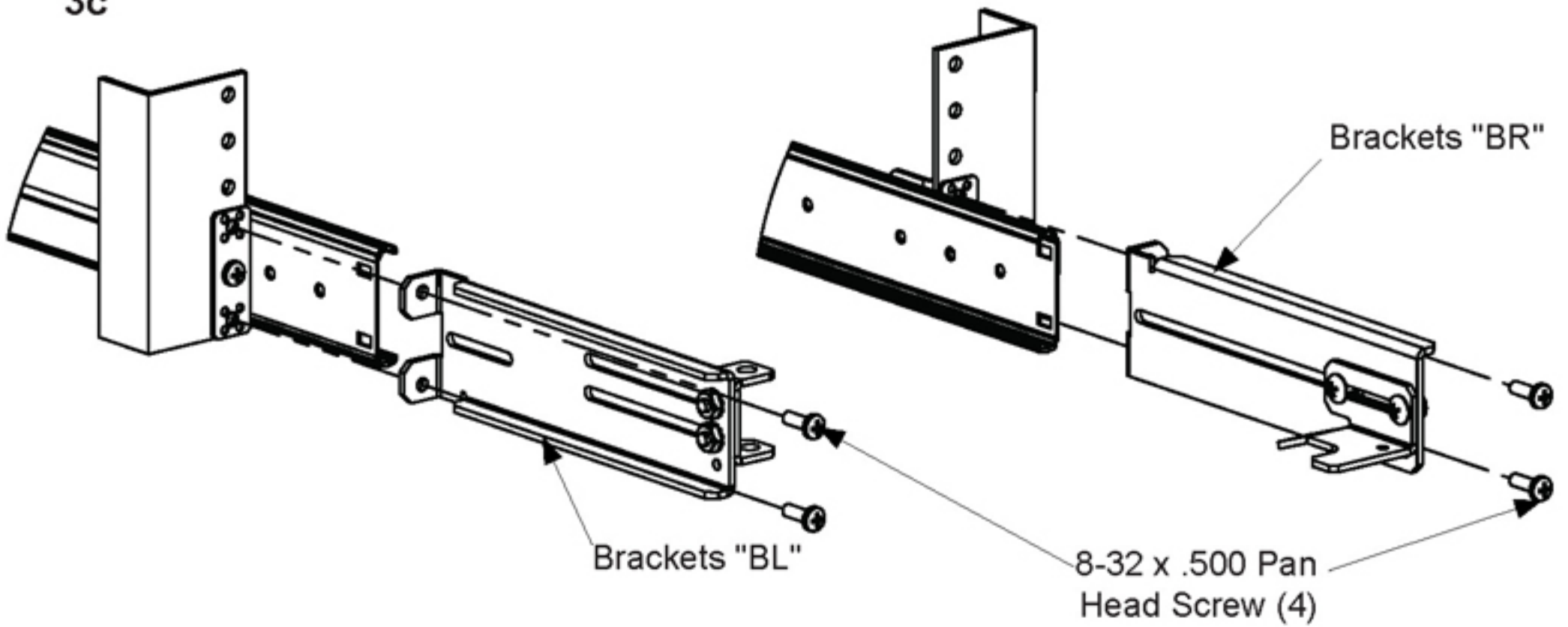
# Cable Management Installation Instructions

Step 3b/3c. Attach Brackets BL or BR: Attach to either the Rack or the end of the Rail that is sticking out depending on your configuration.

3b

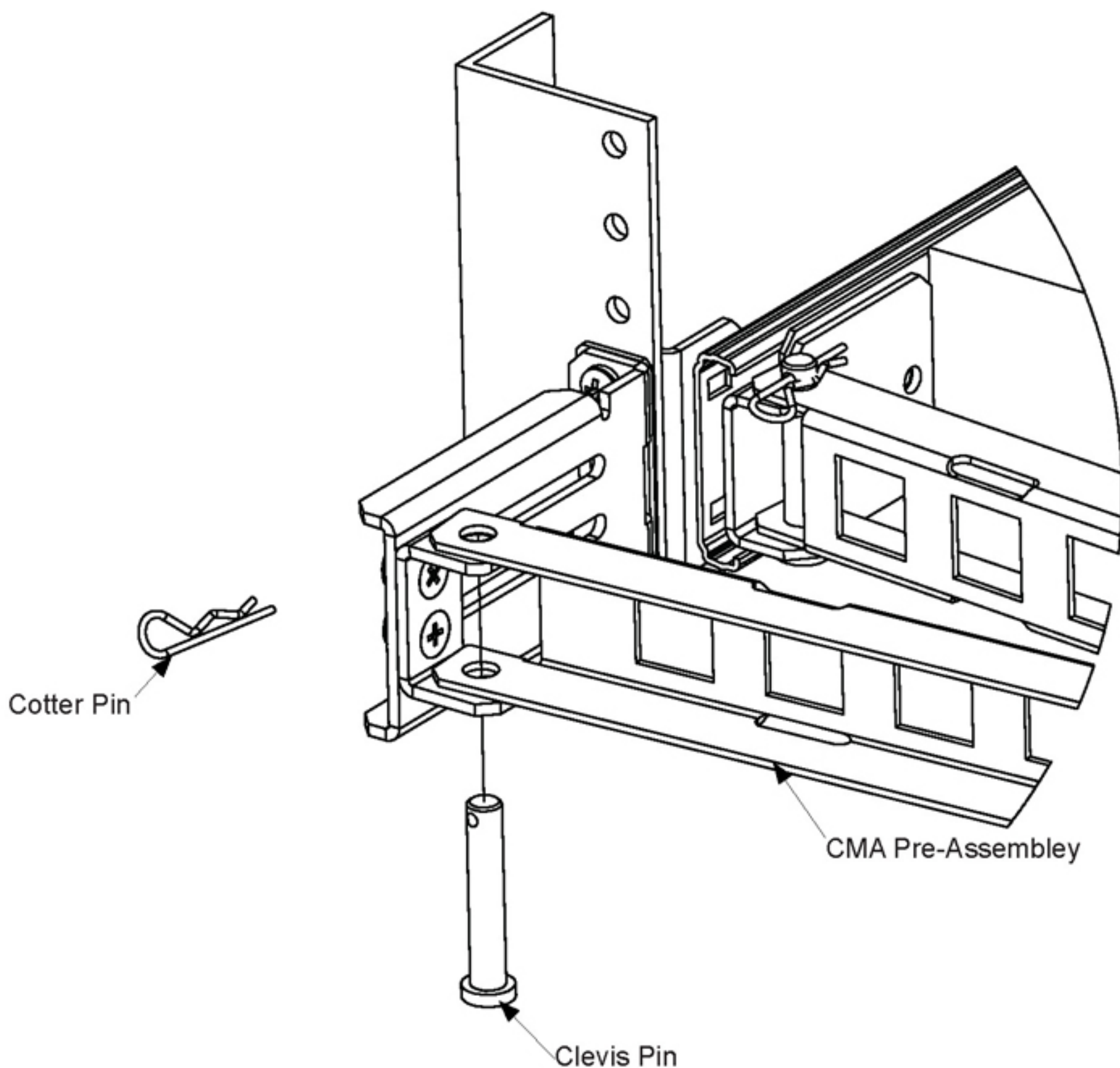


3c



# Cable Management Installation Instructions

**Step 4.** Install CMA: Attach the Cable Management Arm to the Rear Bracket.



**Warranty Statement**

Rackmount Solutions warrants our products against defects in material and workmanship for a period of one (1) year from the date of purchase. Rackmount Solutions liability shall be limited to repairing or replacing, at our option, any defective product.

