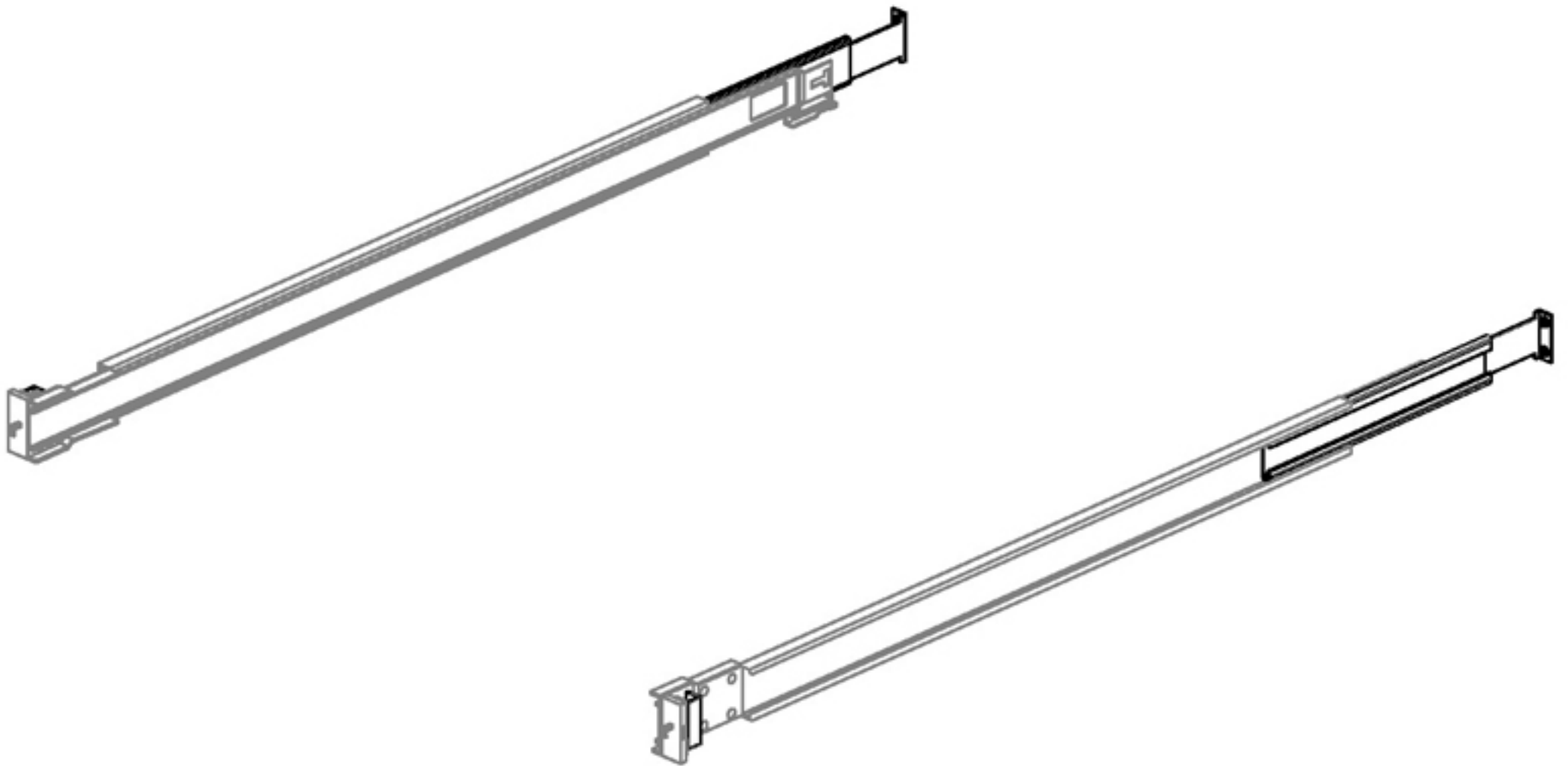


# Sliding Rail Kit for Dell Servers



Installation Instructions

P/N: 1UKIT-R4

# Kit Contents

---

## Kit Contents:

- (2) Front Brackets
- (2) Rear Brackets

## Rear Hardware:

- (2) Adapters
- (4) 8-32 Pan Head Screws

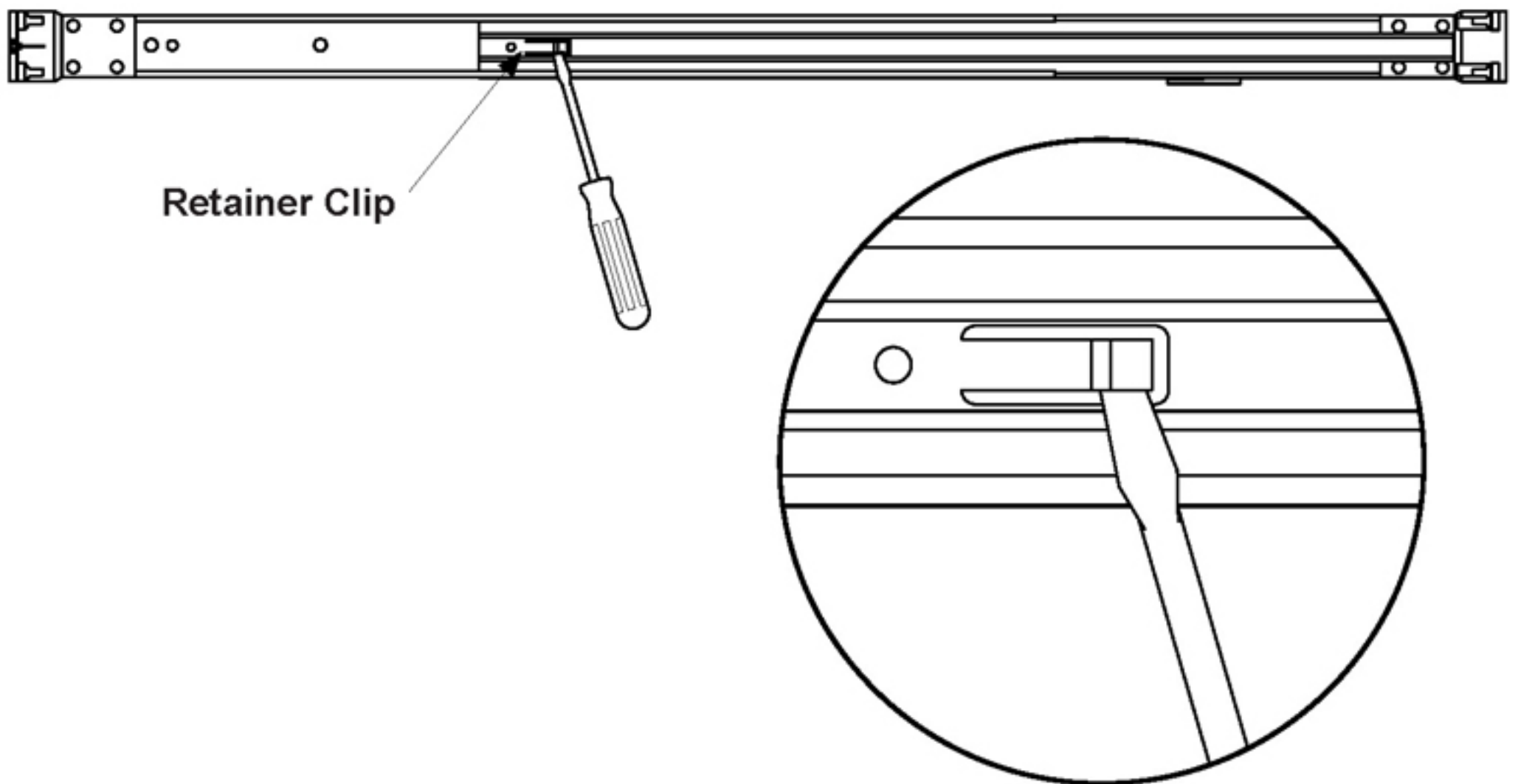
## Mount Hardware:

- (4) 10-32 Pan Head Screws
- (4) 12-24 Pan Head Screws
- (4) 12-24 Square Nuts
- (4) 12-24 Cage Nuts

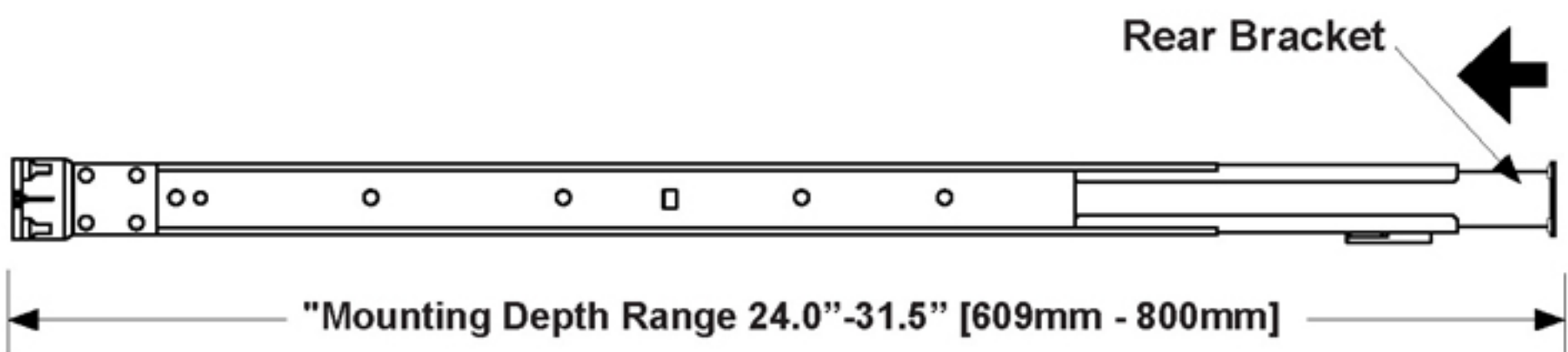
# Installation Instructions

---

**Step 1.** Dell Rear Bracket Removal: Locate the Retainer Clip and pry the Clip outward with a flat head screw driver. Then slide the Dell Rear Bracket out of the Dell Rail and discard the Dell Rear Bracket.

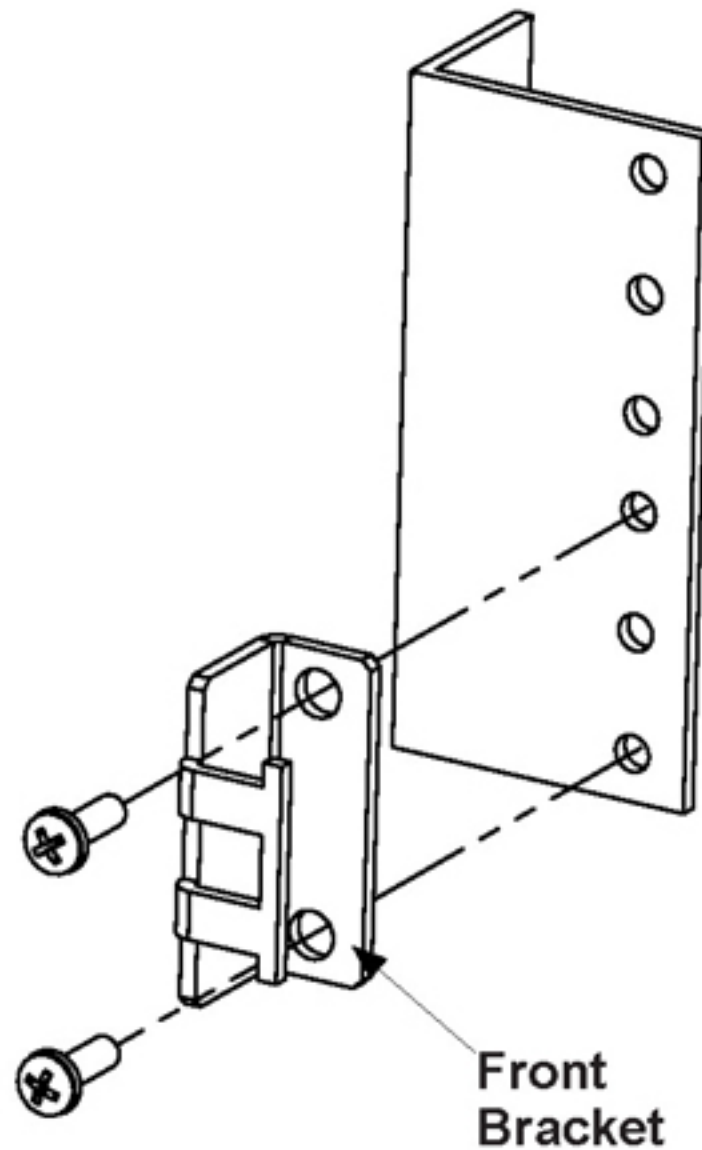


**Step 2.** Rear Bracket Installation: Install the New Rear Bracket into the slot where the Dell Rear Bracket in Step 1 was removed.



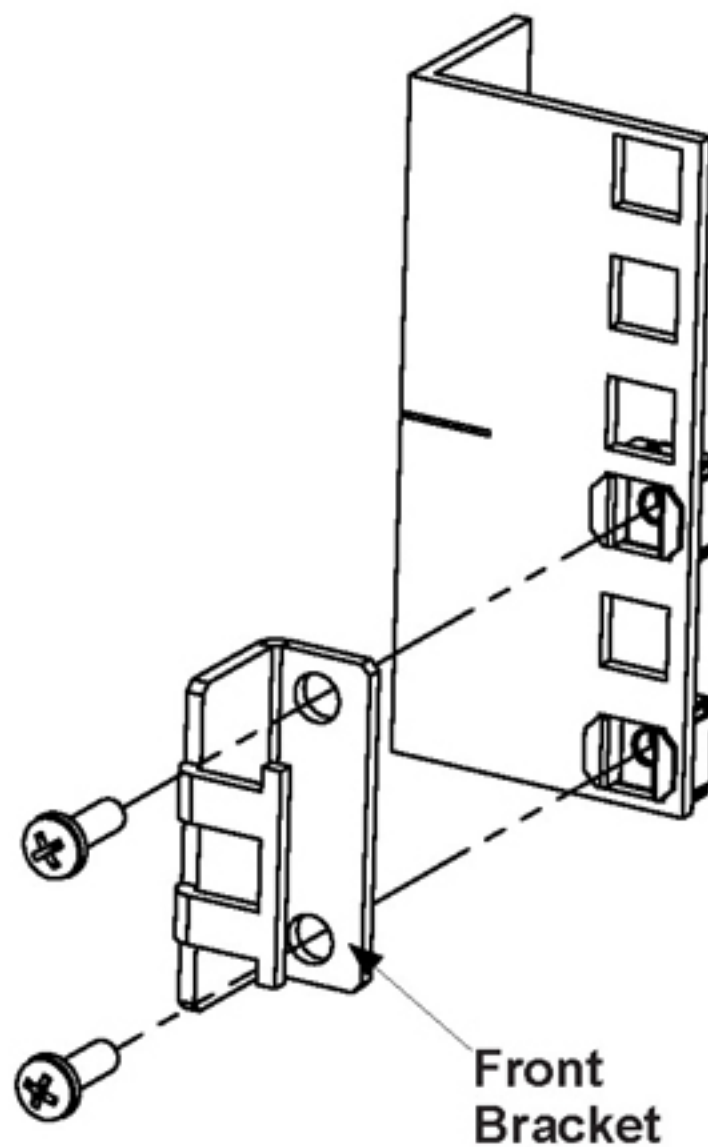
# Installation Instructions

**Step 3a.** Front Bracket Attachment for Round Hole Racks: Attach Front Bracket using supplied hardware.



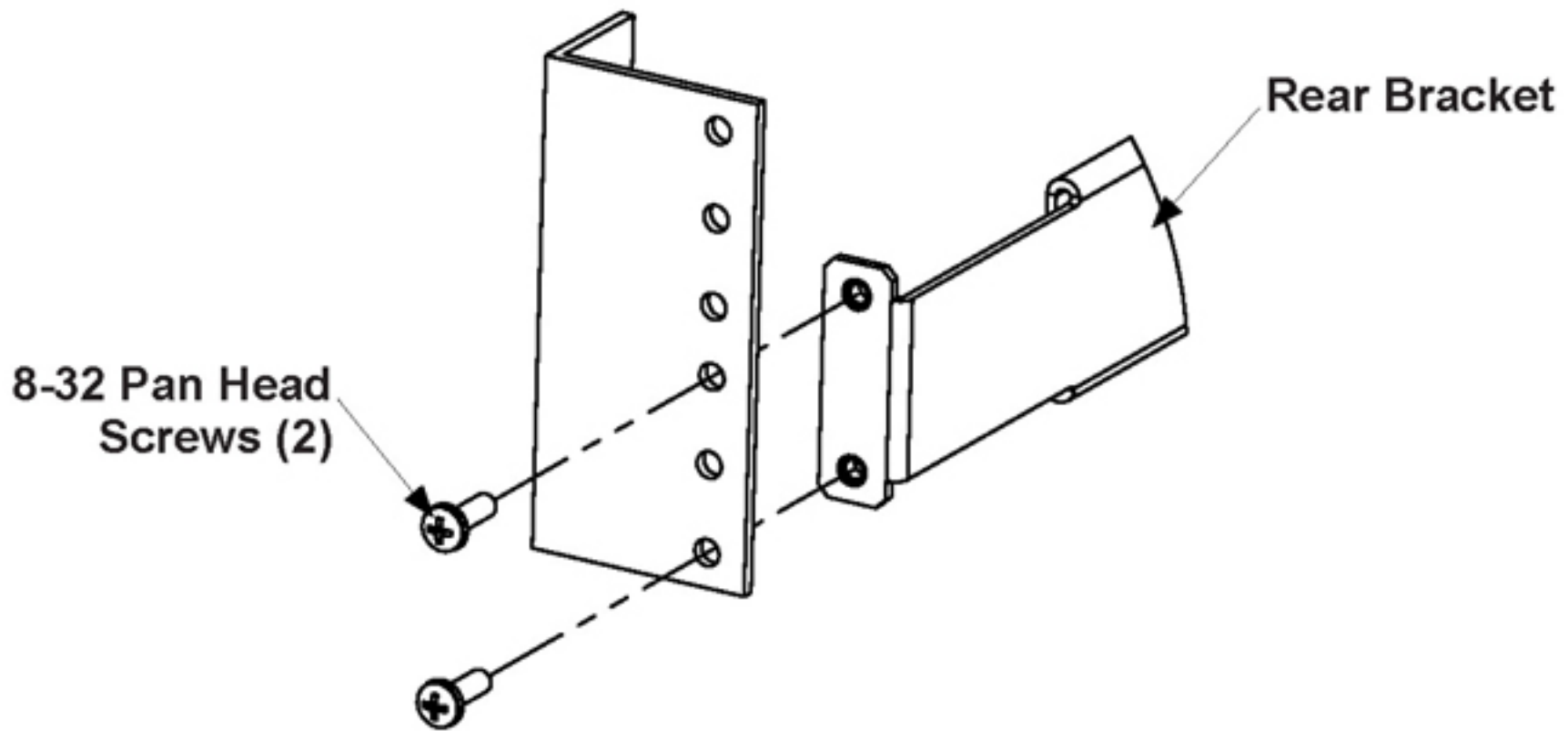
**Step 3b.** Front Bracket Attachment for Square Hole Racks: Attach Front Bracket using supplied hardware.

NOTE: If you're mounting depth is 25.0"-31.5" this step is not required.

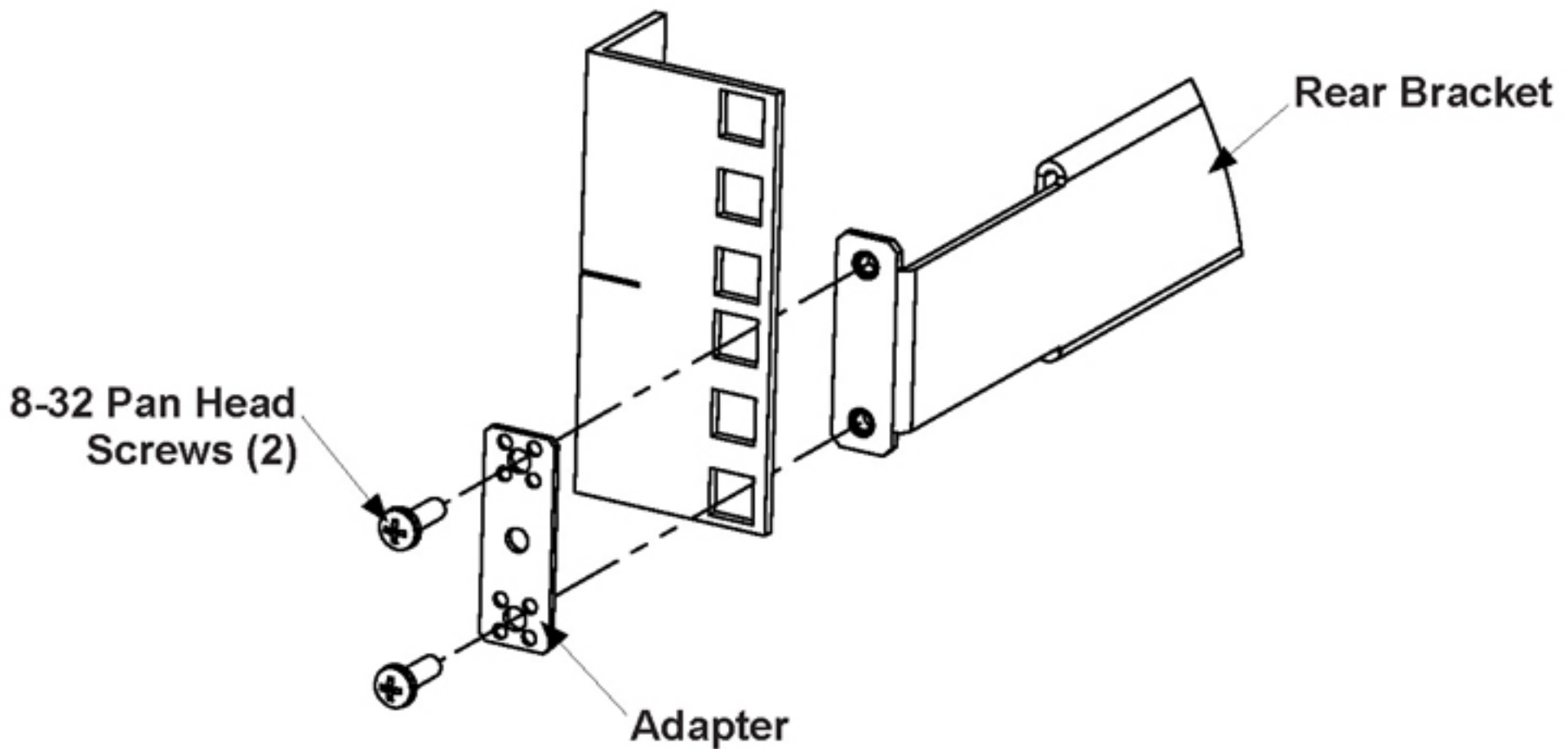


## Installation Instructions

**Step 4a.** Rear Bracket Attachment for Round Hole Racks: Attach the Rear Bracket using 8-32 Pan Head Screws.



**Step 4b.** Rear Bracket Attachment for Square Hole Racks: Attach the Rear Bracket using the Adapter and 8-32 Pan Head Screws.



**Step 5.** Server to Rail Installation: Refer to the Dell Installation Manual.

### Warranty Statement

Rackmount Solutions warrants our products against defects in material and workmanship for a period of one (1) year from the date of purchase. Rackmount Solutions liability shall be limited to repairing or replacing, at our option, any defective product.